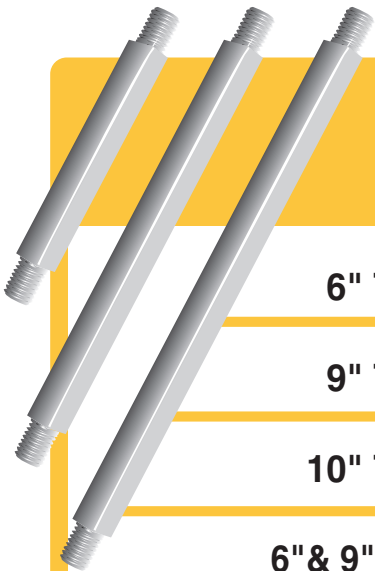


U-100 SERIES



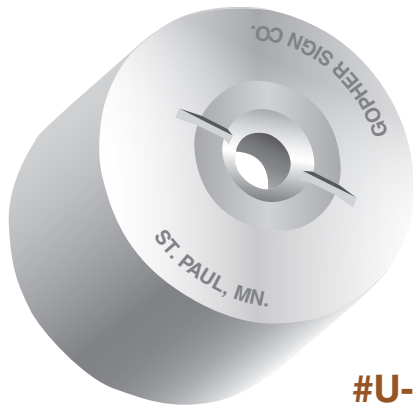
	2-Way	4-Way	6-Way
6" Signs	U126	U146	U166
9" Signs	U129	U149	U169
10" Signs	U1210	U1410	U1610
6" & 9" Combo Sign		U1469	

U-100 SERIES TIE ROD BOLT



	Bolt	Length	Bolt	Length	Bolt	Length
6" Tie Rod Bolts	U126	9.875"	U146	17.625"	U166	25.375"
9" Tie Rod Bolts	U129	12.875"	U149	23.625"	U169	34.375"
10" Tie Rod Bolts	U1210	13.875"	U1410	25.625"	U1610	37.375"
6" & 9" Tie Rod Bolts			U1469	19.625"		

UNIVERSAL BRACKET CUPS™



#U-120

- Sized to fit 2 3/8" O.D. tube posts.
- Die cast zinc (completely rustproof).
- Structurally ribbed sidewalls and dome top create the highest strength cup available.
- Threaded tie-rod attachment system alleviates welded bracket lean for a truly "straight" bracket.
- Easily removable threaded tie-rod makes cup reusable/replaceable.
- Three point set screw stabilization, and our deepest cup available.
- Powder coated finish.

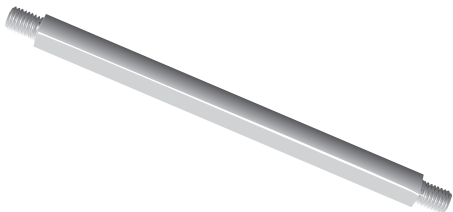
SIGN SADDLES



#U-102

- High strength 16 gauge formed steel construction.
- Fully galvanized after forming for complete edge and part coverage to prevent rusting.
- Punching pattern allows signs to be mounted in eight different directional positions.
- Notches will accommodate street sign blanks up to .080" in thickness w/ reflective sheeting.
- Powder coated finish (after galvanizing).

TIE ROD



- High strength 5/8" x 5/8" cold rolled steel bar stock.
- 5/8" NC Fine threading for easy attachment to the Universal Bracket Cup™
- Fully galvanized after cutting and threading for complete part coverage to prevent rusting.

FINIAL NUT



#U-100

- Die cast zinc (completely rustproof).
- Powder coated finish.