



GOPHER SIGN COMPANY

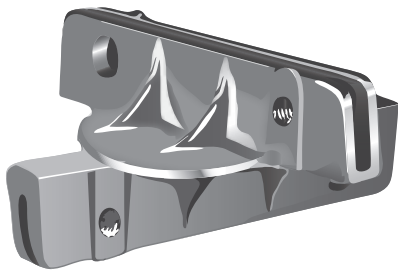
SINCE 1922

EXTRUDED BLADE SLOT BRACKETS



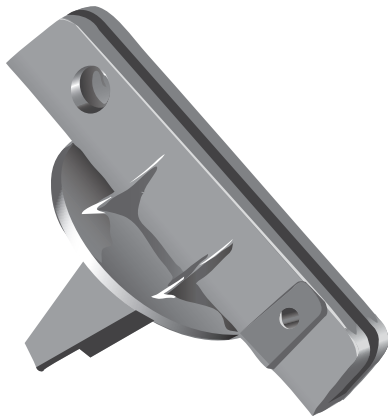
G600P

Cast aluminum post cap bracket designed to fit 2.375" O.D. tube posts. Mounts extruded blade signs. Includes six 5/16" set screws.



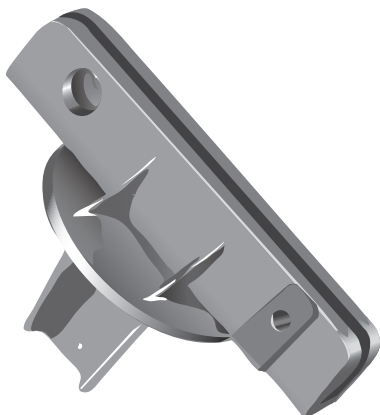
G600X

Cast aluminum bracket for 4-way perpendicular top to bottom cross connection. Mounts extruded blade signs. Includes four 5/16" set screws.



G600U-90

Cast aluminum bracket designed to fit U-Channel sign posts. The G600U-90 bracket has a perpendicular sign orientation to the post flanges. Mounts extruded blade signs. Includes two 5/16" set screws and two 5/16" x 5/8" standard hex bolts.



G600U-180

Cast aluminum bracket designed to fit U-Channel sign posts. The G600U-180 bracket has a parallel sign orientation to the post flanges. Mounts extruded blade signs. Includes two 5/16" set screws and two 5/16" x 5/8" standard hex bolts.