



# GOPHER SIGN COMPANY

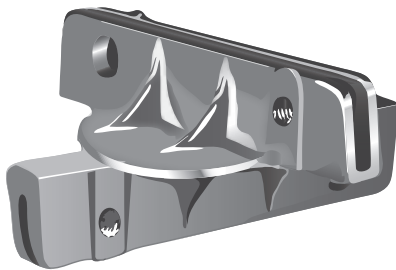
SINCE 1922

## FLAT BLADE SLOT BRACKETS



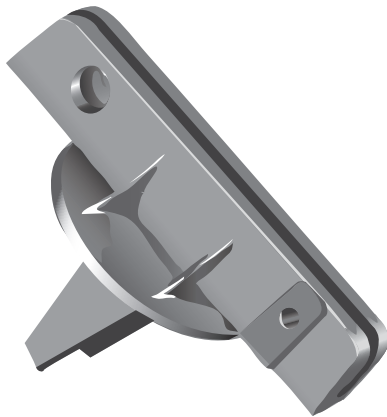
### **G650P**

Cast aluminum post cap bracket designed to fit 2.375" O.D. tube posts. Mounts flat blade signs. Includes six 5/16" set screws.



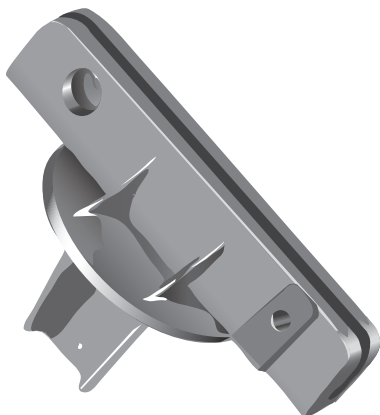
### **G650X**

Cast aluminum bracket for 4-way perpendicular top to bottom cross connection. Mounts flat blade signs. Includes four 5/16" set screws.



### **G650U-90**

Cast aluminum bracket designed to fit U-Channel sign posts. The G650U-90 bracket has a perpendicular sign orientation to the post flanges. Mounts flat blade signs. Includes two 5/16" set screws and two 5/16" x 5/8" standard hex bolts.



### **G650U-180**

Cast aluminum bracket designed to fit U-Channel sign posts. The G650U-180 bracket has a parallel sign orientation to the post flanges. Mounts flat blade signs. Includes two 5/16" set screws and two 5/16" x 5/8" standard hex bolts.