



GOPHER SIGN COMPANY

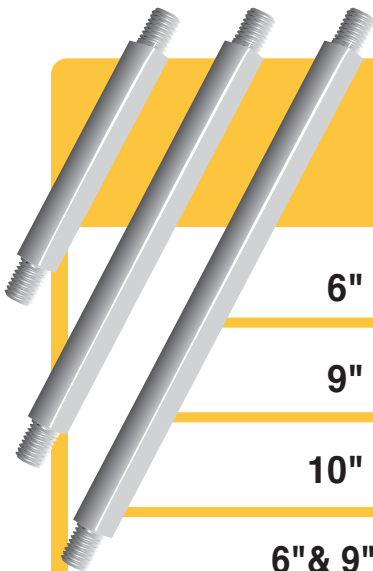
SINCE 1922

U-100 SERIES



	2-Way	4-Way	6-Way
6" Signs	U126	U146	U166
9" Signs	U129	U149	U169
10" Signs	U1210	U1410	U1610
6"& 9" Combo Sign		U1469	

U-100 SERIES TIE ROD BOLT



	Bolt	Length	Bolt	Length	Bolt	Length
6" Tie Rod Bolts	U126	9.875"	U146	17.625"	U166	25.375"
9" Tie Rod Bolts	U129	12.875"	U149	23.625"	U169	34.375"
10" Tie Rod Bolts	U1210	13.875"	U1410	25.625"	U1610	37.375"
6"& 9" Tie Rod Bolts			U1469	19.625"		