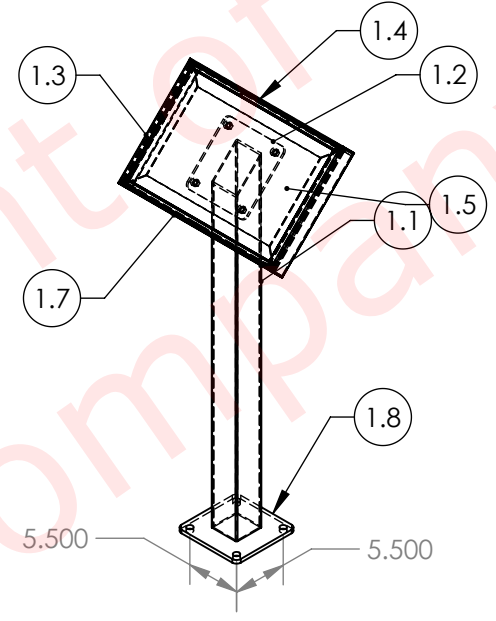


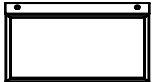
# Gopher Sign Co. - Bill of Materials

ITEM NO.	Part Number	DESCRIPTION	QTY.	LENGTH	ANGLE1	ANGLE2	Bounding Box Area (ft2)	Sheet Metal Thickness
1.1	803514	AL 3x3x0.125 Tube	1	38.125	45°	0°	0.00	
1.2	706400	7x7x0.25 PED Plate	1				0.34	0.25
1.3	803509	ILoc Welded Extrusion 2 x 1.625 x 0.125	2	12	45°	45°	0.00	
1.4	803509	ILoc Welded Extrusion 2 x 1.625 x 0.125	1	18	45°	45°	0.00	
1.5	802902	0.190 Formed Mounting Plate	1				1.55	0.19
1.6	802901	0.125" ImageLOC	1				1.40	0.125
1.7	803509	ILoc Welded Extrusion 2 x 1.625 x 0.125	1	18	45°	45°	0.00	
1.8	720050	7x7x3/8" Base Plate	1				0.34	0.375

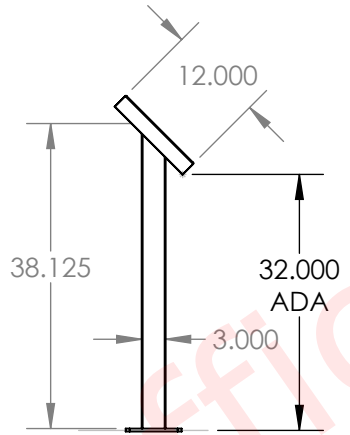
## Isometric View



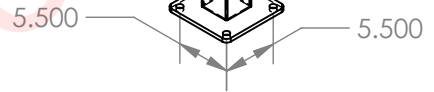
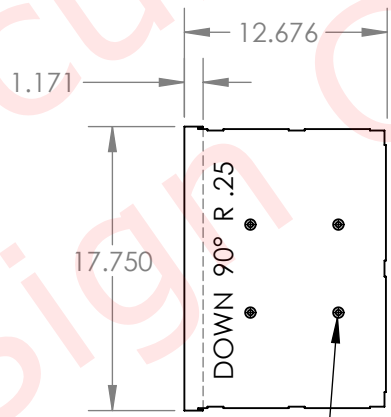
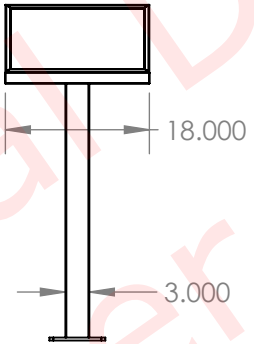
### Top View



### Left View



### Front View



### Qty.

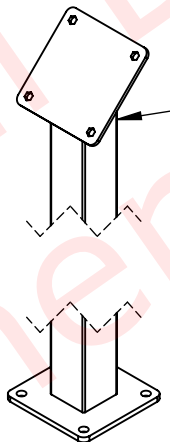
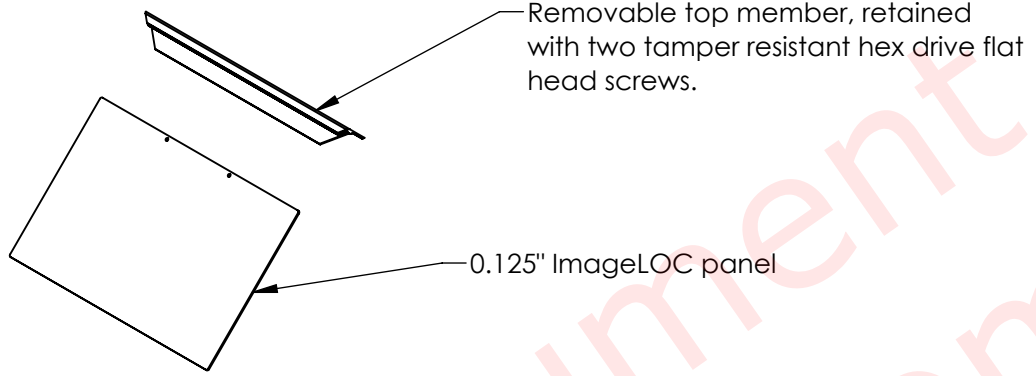
**Hardware:**  
**-203911** -Qty. 6 pcs 5/16" x 3/4" black oxide flat head bolts  
**-203880** -Qty. 2 pcs 5/16" aluminum hex nuts  
**-803830** -Qty. 4 pcs 5/16" serrated flange nut  
 Monday, August 15, 2022 9:31:49 AM

**PROPRIETARY AND CONFIDENTIAL**  
 THE INFORMATION CONTAINED IN THIS DRAWING IS THE SOLE PROPERTY OF Gopher Sign Company. ANY REPRODUCTION IN PART OR AS A WHOLE WITHOUT THE WRITTEN PERMISSION OF Gopher Sign Company IS PROHIBITED.

DO NOT SCALE DRAWING  
 Job#  
 FINISH:

UNLESS OTHERWISE SPECIFIED:	
DIMENSIONS ARE IN INCHES	
TOLERANCES:	
FRACTIONAL ± 1/16"	
ANGULAR: BEND ± 1°	
TWO PLACE DECIMAL ± 0.06"	
THREE PLACE DECIMAL ± 0.030"	
NAME	DATE
DRAWN Jonas R.	3/10/2020
COMMENTS:	

<b>-Gopher Sign Company-</b> 103 Highway 22 E - Clear Lake, SD 57226	
TITLE: Pedestal, Welded Frame, Direct Embed	
SIZE <b>A</b>	DWG. NO. <b>184100</b>
SCALE: 1:24	WEIGHT: SHEET 1 OF 3



Qty.

UNLESS OTHERWISE SPECIFIED:		<b>-Gopher Sign Company-</b>	
DIMENSIONS ARE IN INCHES		103 Highway 22 E - Clear Lake, SD 57226	
TOLERANCES:		TITLE:	
FRACTIONAL: ± 1/16"		Exploded View	
ANGULAR: BEND ± 1°		SIZE	DWG. NO.
TWO PLACE DECIMAL: ± 0.06"		<b>A</b>	<b>184100</b>
THREE PLACE DECIMAL: ± 0.030"		REV	
DO NOT SCALE DRAWING		SCALE: 1:24	WEIGHT:
Job#		SHEET 2 OF 3	
FINISH:			
DRAWN: Jonas R.			
DATE: 3/10/2020			
COMMENTS:			

**PROPRIETARY AND CONFIDENTIAL**

THE INFORMATION CONTAINED IN THIS DRAWING IS THE SOLE PROPERTY OF Gopher Sign Company. ANY REPRODUCTION IN PART OR AS A WHOLE WITHOUT THE WRITTEN PERMISSION OF Gopher Sign Company IS PROHIBITED.

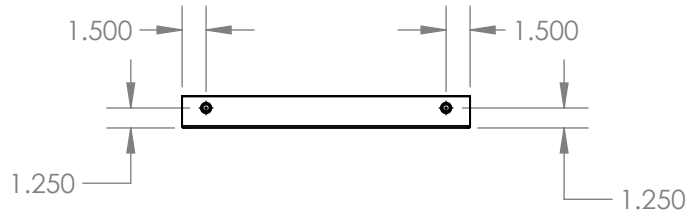
1

2

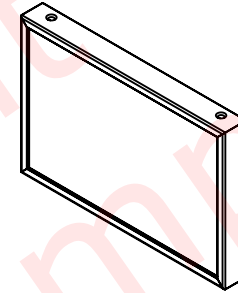
3

4

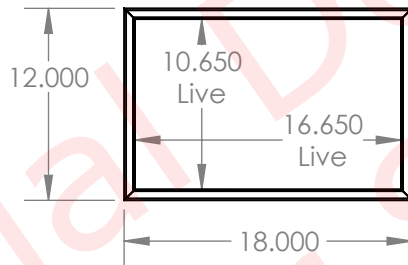
Frame Top View



Frame Isometric View



Frame Front View



Qty.

UNLESS OTHERWISE SPECIFIED:

DIMENSIONS ARE IN INCHES  
 TOLERANCES:  
 FRACTIONAL  $\pm 1/16"$   
 ANGULAR: BEND  $\pm 1^\circ$   
 TWO PLACE DECIMAL  $\pm 0.06"$   
 THREE PLACE DECIMAL  $\pm 0.030"$

**-Gopher Sign Company-**  
 103 Highway 22 E - Clear Lake, SD 57226

TITLE:  
 Frame Detail

DO NOT SCALE DRAWING

PROPRIETARY AND CONFIDENTIAL

THE INFORMATION CONTAINED IN THIS DRAWING IS THE SOLE PROPERTY OF Gopher Sign Company. ANY REPRODUCTION IN PART OR AS A WHOLE WITHOUT THE WRITTEN PERMISSION OF Gopher Sign Company IS PROHIBITED.

Job# \_\_\_\_\_  
 FINISH: \_\_\_\_\_

DRAWN	NAME	DATE
Jonas R.		3/10/2020
COMMENTS:		

SIZE	DWG. NO.	REV
<b>A</b>	<b>184100</b>	

SCALE: 1:24 WEIGHT: SHEET 3 OF 3

Monday, August 15, 2022 9:31:49 AM

1

2

3

4