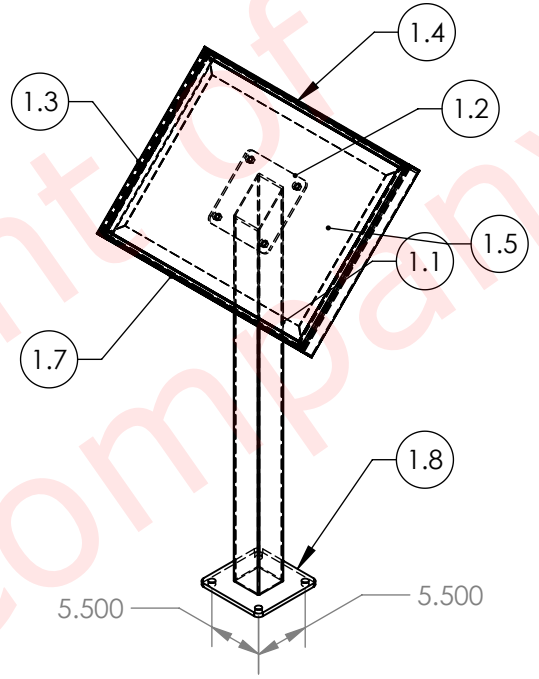


Gopher Sign Co. - Bill of Materials

ITEM NO.	Part Number	DESCRIPTION	QTY.	LENGTH	ANGLE1	ANGLE2	Bounding Box Area (ft2)	Sheet Metal Thickness
1.1	803514	AL 3x3x0.125 Tube	1	40.125	45°	0°	0.00	
1.2	706400	7x7x0.25 PED Plate	1				0.34	0.25
1.3	803509	ILoc Welded Extrusion 2 x 1.625 x 0.125	2	18	45°	45°	0.00	
1.4	803509	ILoc Welded Extrusion 2 x 1.625 x 0.125	1	24	45°	45°	0.00	
1.5	802902	0.190 Formed Mounting Plate	1				3.07	0.19
1.6	802901	0.125" ImageLOC	1				2.86	0.125
1.7	803509	ILoc Welded Extrusion 2 x 1.625 x 0.125	1	24	45°	45°	0.00	
1.8	720050	7x7x3/8" Base Plate	1				0.34	0.375

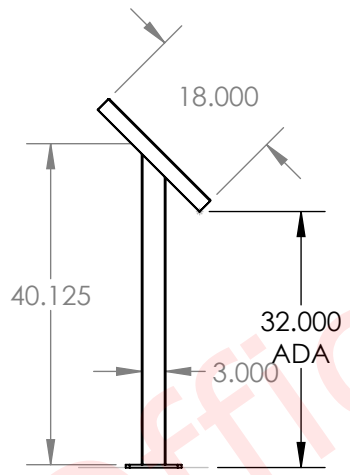
Isometric View



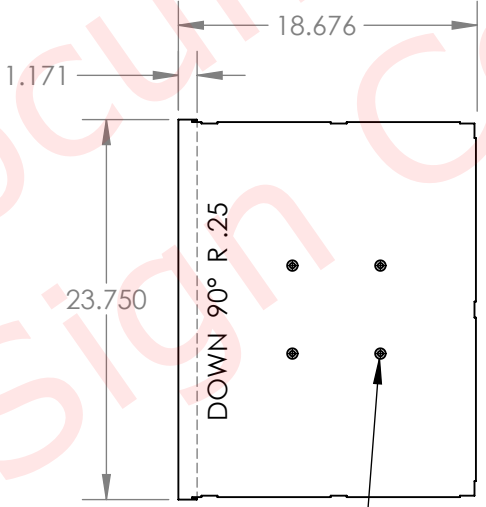
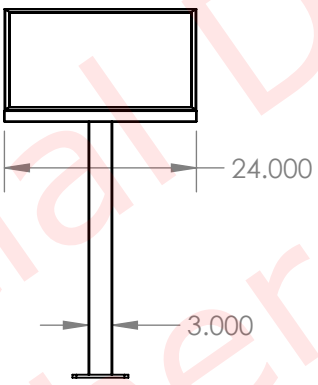
Top View



Left View



Front View



Countersink @ 4 places

Qty.

Hardware:
-203911 -Qty. 6 pcs 5/16" x 3/4" black oxide flat head bolts
-203880 -Qty. 2 pcs 5/16" aluminum hex nuts
-803830 -Qty. 4 pcs 5/16" serrated flange nut
 Monday, August 15, 2022 9:22:31 AM

PROPRIETARY AND CONFIDENTIAL
 THE INFORMATION CONTAINED IN THIS DRAWING IS THE SOLE PROPERTY OF Gopher Sign Company. ANY REPRODUCTION IN PART OR AS A WHOLE WITHOUT THE WRITTEN PERMISSION OF Gopher Sign Company IS PROHIBITED.

DO NOT SCALE DRAWING
 Job#
 FINISH:

UNLESS OTHERWISE SPECIFIED:	
DIMENSIONS ARE IN INCHES	
TOLERANCES:	
FRACTIONAL ± 1/16"	
ANGULAR: BEND ±1°	
TWO PLACE DECIMAL ± 0.06"	
THREE PLACE DECIMAL ± 0.030"	
NAME	DATE
DRAWN Jonas R.	3/10/2020
COMMENTS:	

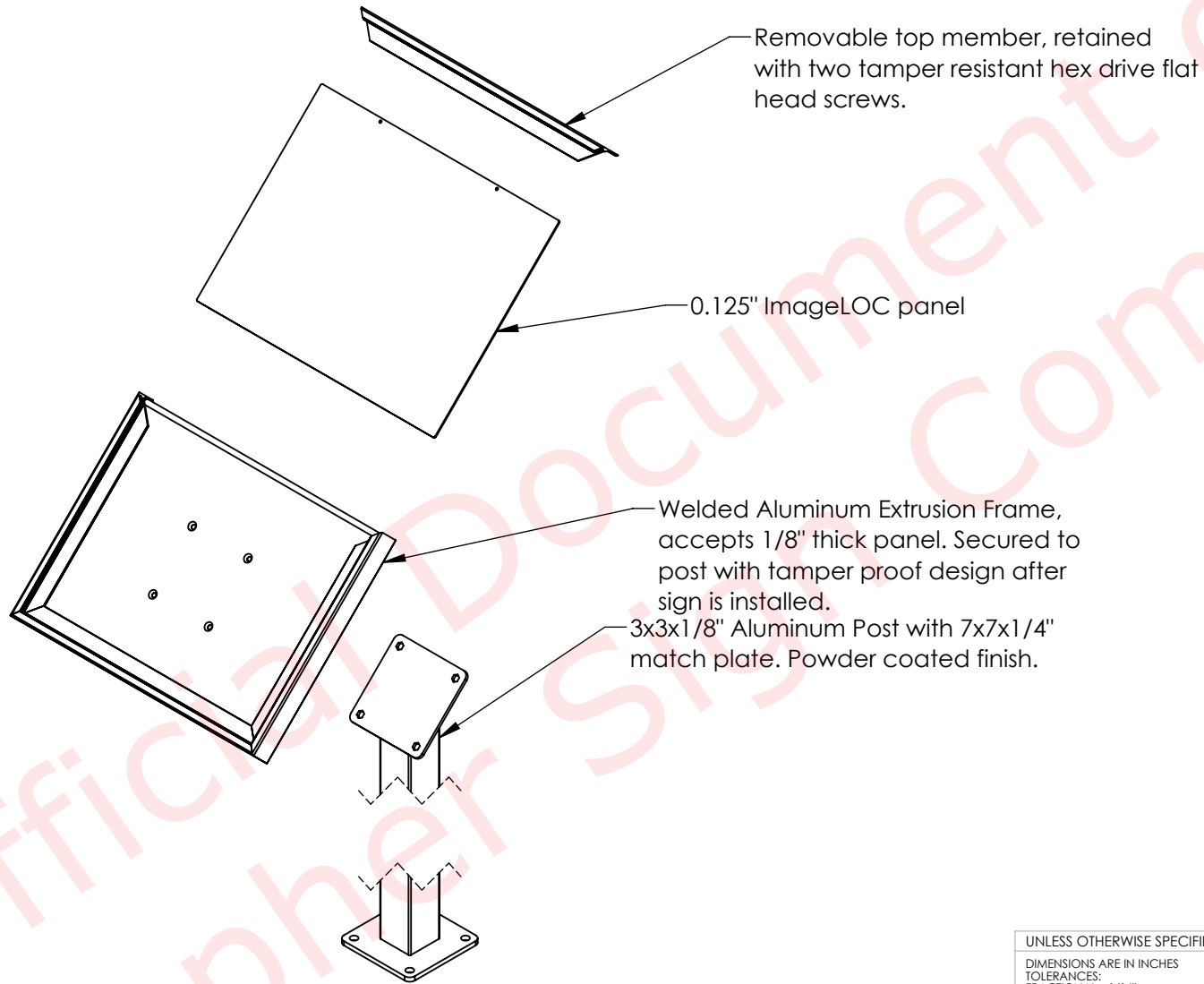
-Gopher Sign Company- 103 Highway 22 E - Clear Lake, SD 57226	
TITLE: Pedestal, Welded Frame, Direct Embed	
SIZE A	DWG. NO. 184210
SCALE: 1:24	WEIGHT: SHEET 1 OF 3

1

2

3

4



Removable top member, retained with two tamper resistant hex drive flat head screws.

0.125" ImageLOC panel

Welded Aluminum Extrusion Frame, accepts 1/8" thick panel. Secured to post with tamper proof design after sign is installed.

3x3x1/8" Aluminum Post with 7x7x1/4" match plate. Powder coated finish.

Qty.

UNLESS OTHERWISE SPECIFIED:

DIMENSIONS ARE IN INCHES
 TOLERANCES:
 FRACTIONAL ± 1/16"
 ANGULAR: BEND ± 1°
 TWO PLACE DECIMAL ± 0.06"
 THREE PLACE DECIMAL ± 0.030"

-Gopher Sign Company-
 103 Highway 22 E - Clear Lake, SD 57226

TITLE:
 Exploded View

DO NOT SCALE DRAWING

PROPRIETARY AND CONFIDENTIAL
 THE INFORMATION CONTAINED IN THIS DRAWING IS THE SOLE PROPERTY OF Gopher Sign Company. ANY REPRODUCTION IN PART OR AS A WHOLE WITHOUT THE WRITTEN PERMISSION OF Gopher Sign Company IS PROHIBITED.

Job#

FINISH:

NAME	DATE
DRAWN Jonas R.	3/10/2020
COMMENTS:	

SIZE	DWG. NO.	REV
A	184210	

SCALE: 1:24 WEIGHT: SHEET 2 OF 3

Monday, August 15, 2022 9:22:31 AM

1

2

3

4

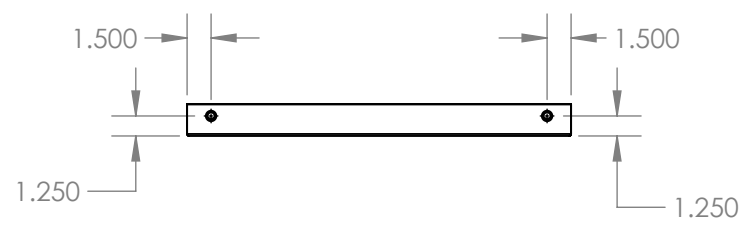
1

2

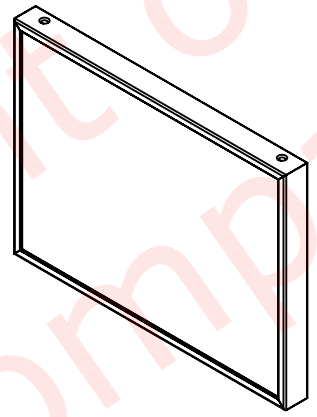
3

4

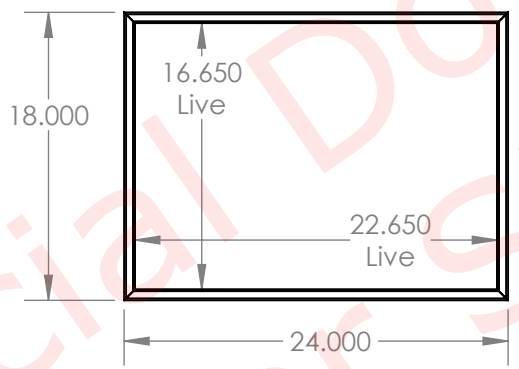
Frame Top View



Frame Isometric View



Frame Front View



Qty.

UNLESS OTHERWISE SPECIFIED:
 DIMENSIONS ARE IN INCHES
 TOLERANCES:
 FRACTIONAL ± 1/16"
 ANGULAR: BEND ± 1°
 TWO PLACE DECIMAL ± 0.06"
 THREE PLACE DECIMAL ± 0.030"

-Gopher Sign Company-
 103 Highway 22 E - Clear Lake, SD 57226

TITLE:
 Frame Detail

DO NOT SCALE DRAWING

PROPRIETARY AND CONFIDENTIAL
 THE INFORMATION CONTAINED IN THIS DRAWING IS THE SOLE PROPERTY OF Gopher Sign Company. ANY REPRODUCTION IN PART OR AS A WHOLE WITHOUT THE WRITTEN PERMISSION OF Gopher Sign Company IS PROHIBITED.

Job#
 FINISH:

NAME	DATE
DRAWN Jonas R.	3/10/2020
COMMENTS:	

SIZE	DWG. NO.	REV
A	184210	

Monday, August 15, 2022 9:22:31 AM

SCALE: 1:24 WEIGHT: SHEET 3 OF 3

1

2

3

4