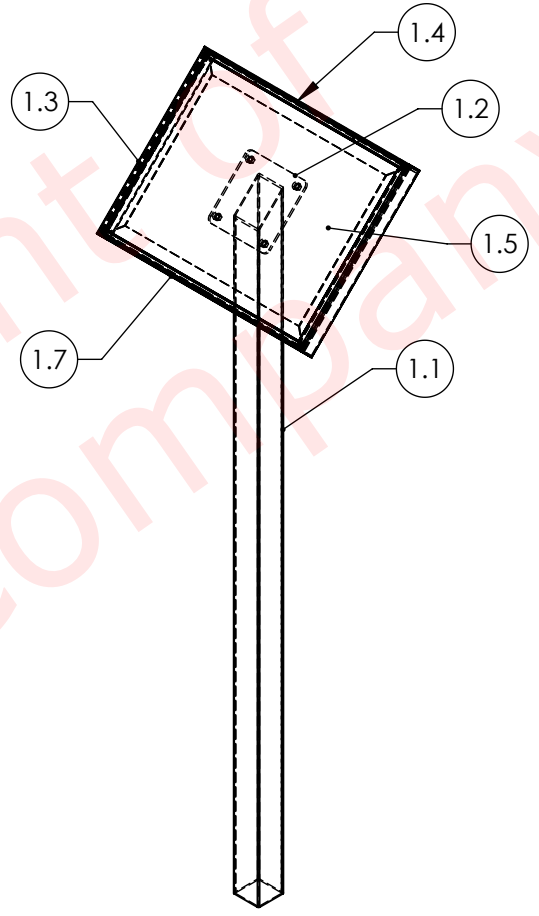


# Gopher Sign Co. - Bill of Materials

ITEM NO.	Part Number	DESCRIPTION	QTY.	LENGTH	ANGLE1	ANGLE2	Bounding Box Area (ft2)	Sheet Metal Thickness
1.1	803514	AL 3x3x0.125 Tube	1	72	45°	0°	0.00	
1.2	706400	7x7x0.25 PED Plate	1				0.34	0.25
1.3	803509	ILoc Welded Extrusion 2 x 1.625 x 0.125	2	18	45°	45°	0.00	
1.4	803509	ILoc Welded Extrusion 2 x 1.625 x 0.125	1	24	45°	45°	0.00	
1.5	802902	0.190 Formed Mounting Plate	1				3.07	0.19
1.6	802901	0.125" ImageLOC	1				2.86	0.125
1.7	803509	ILoc Welded Extrusion 2 x 1.625 x 0.125	1	24	45°	45°	0.00	

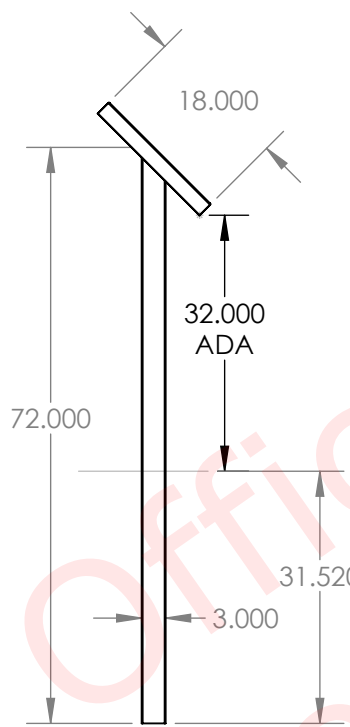
## Isometric View



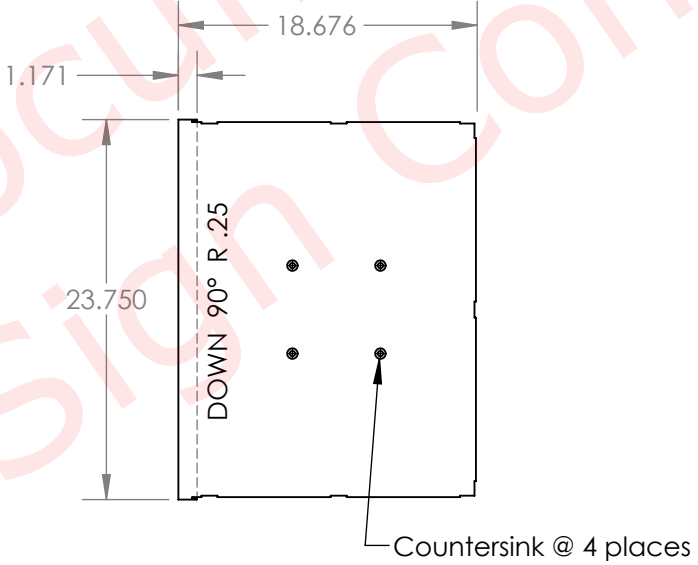
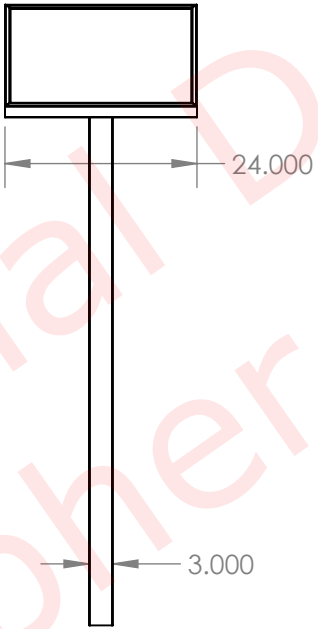
Top View



Left View



Front View



Qty.

**Hardware:**  
 -203911 -Qty. 6 pcs 5/16" x 3/4" black oxide flat head bolts  
 -203880 -Qty. 2 pcs 5/16" aluminum hex nuts  
 -803830 -Qty. 4 pcs 5/16" serrated flange nut  
 Monday, August 15, 2022 8:01:59 AM

**PROPRIETARY AND CONFIDENTIAL**  
 THE INFORMATION CONTAINED IN THIS DRAWING IS THE SOLE PROPERTY OF Gopher Sign Company. ANY REPRODUCTION IN PART OR AS A WHOLE WITHOUT THE WRITTEN PERMISSION OF Gopher Sign Company IS PROHIBITED.

DO NOT SCALE DRAWING  
 Job#  
 FINISH:

UNLESS OTHERWISE SPECIFIED:	
DIMENSIONS ARE IN INCHES	
TOLERANCES:	
FRACTIONAL ± 1/16"	
ANGULAR: BEND ± 1°	
TWO PLACE DECIMAL ± 0.06"	
THREE PLACE DECIMAL ± 0.030"	
NAME	DATE
DRAWN Jonas R.	3/10/2020
COMMENTS:	

**-Gopher Sign Company-**  
 103 Highway 22 E - Clear Lake, SD 57226

TITLE: Pedestal, Welded Frame, Direct Embed

SIZE DWG. NO. REV  
**A** 183210

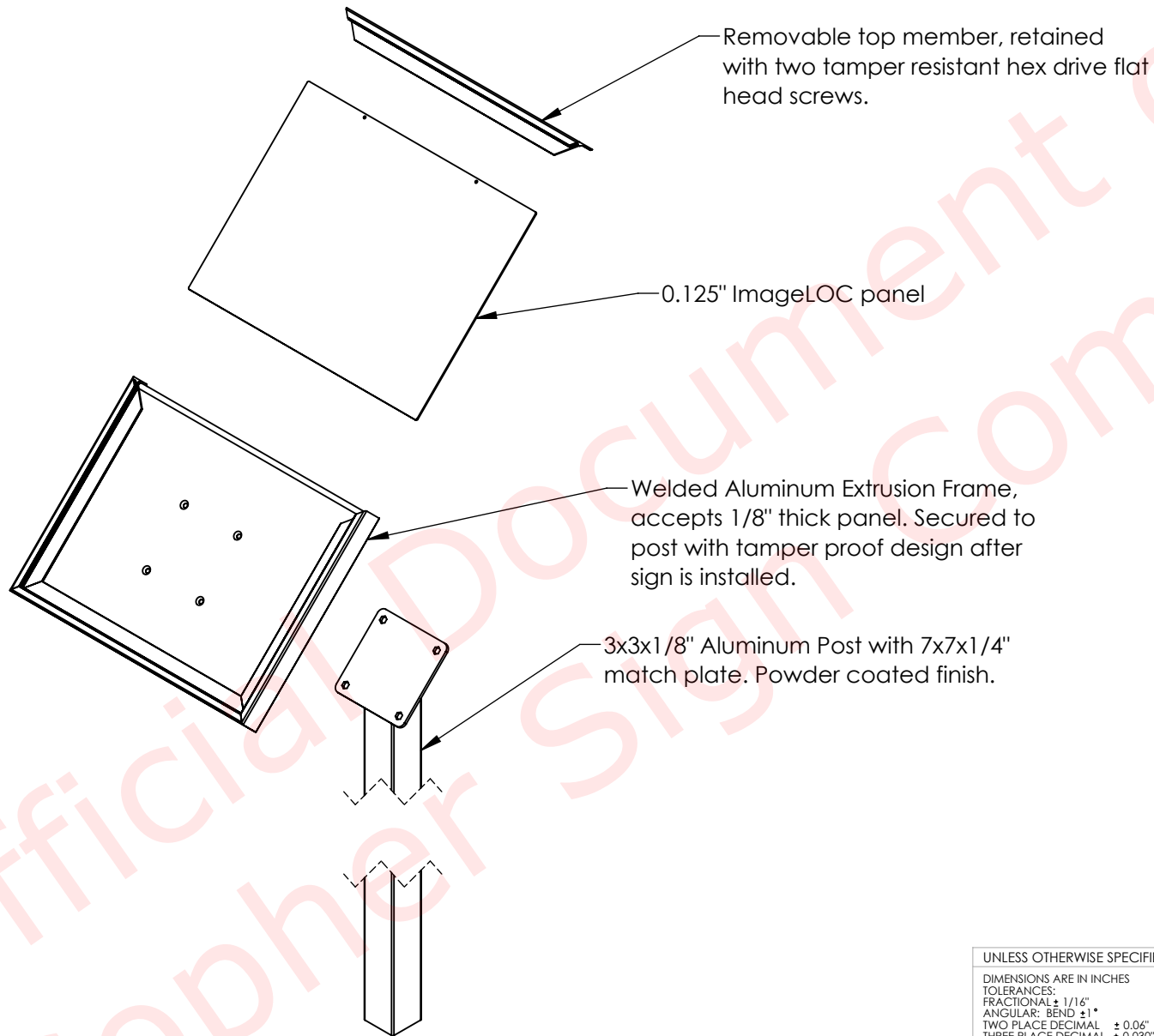
SCALE: 1:24 WEIGHT: SHEET 1 OF 3

1

2

3

4



Removable top member, retained with two tamper resistant hex drive flat head screws.

0.125" ImageLOC panel

Welded Aluminum Extrusion Frame, accepts 1/8" thick panel. Secured to post with tamper proof design after sign is installed.

3x3x1/8" Aluminum Post with 7x7x1/4" match plate. Powder coated finish.

Qty.

UNLESS OTHERWISE SPECIFIED:

DIMENSIONS ARE IN INCHES  
 TOLERANCES:  
 FRACTIONAL: ± 1/16"  
 ANGULAR: BEND ± 1°  
 TWO PLACE DECIMAL: ± 0.06"  
 THREE PLACE DECIMAL: ± 0.030"

**-Gopher Sign Company-**  
 103 Highway 22 E - Clear Lake, SD 57226

TITLE:  
 Exploded View

DO NOT SCALE DRAWING

**PROPRIETARY AND CONFIDENTIAL**  
 THE INFORMATION CONTAINED IN THIS DRAWING IS THE SOLE PROPERTY OF Gopher Sign Company. ANY REPRODUCTION IN PART OR AS A WHOLE WITHOUT THE WRITTEN PERMISSION OF Gopher Sign Company IS PROHIBITED.

Job#

FINISH:

NAME	DATE
DRAWN Jonas R.	3/10/2020
COMMENTS:	

SIZE	DWG. NO.	REV
<b>A</b>	<b>183210</b>	

SCALE: 1:24 WEIGHT: SHEET 2 OF 3

Monday, August 15, 2022 8:01:59 AM

1

2

3

4

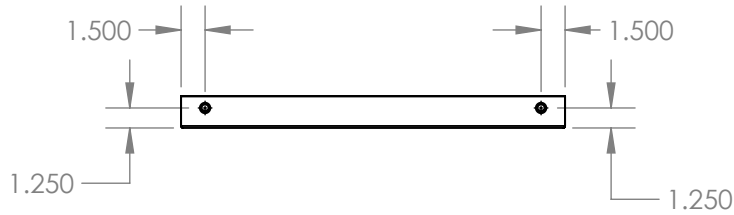
1

2

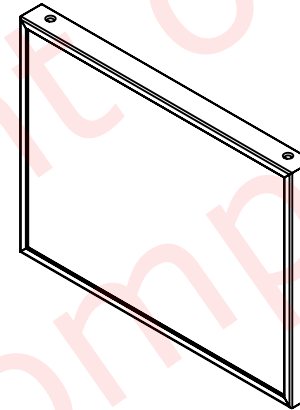
3

4

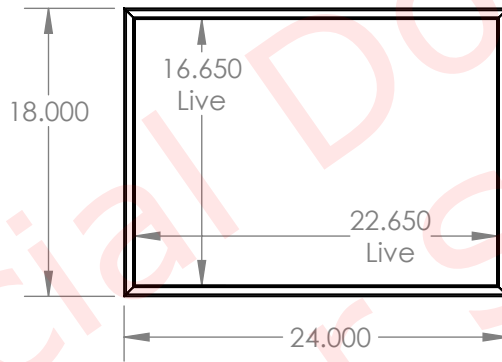
Frame Top View



Frame Isometric View



Frame Front View



Qty.

UNLESS OTHERWISE SPECIFIED:  
 DIMENSIONS ARE IN INCHES  
 TOLERANCES:  
 FRACTIONAL ± 1/16"  
 ANGULAR: BEND ± 1°  
 TWO PLACE DECIMAL ± 0.06"  
 THREE PLACE DECIMAL ± 0.030"

**-Gopher Sign Company-**  
 103 Highway 22 E - Clear Lake, SD 57226

TITLE:  
 Frame Detail

DO NOT SCALE DRAWING

**PROPRIETARY AND CONFIDENTIAL**  
 THE INFORMATION CONTAINED IN THIS DRAWING IS THE SOLE PROPERTY OF Gopher Sign Company. ANY REPRODUCTION IN PART OR AS A WHOLE WITHOUT THE WRITTEN PERMISSION OF Gopher Sign Company IS PROHIBITED.

Job# \_\_\_\_\_  
 FINISH: \_\_\_\_\_

DRAWN	NAME	DATE
Jonas R.		3/10/2020
COMMENTS:		

SIZE	DWG. NO.	REV
<b>A</b>	<b>183210</b>	

Monday, August 15, 2022 8:01:59 AM

SCALE: 1:24 WEIGHT: SHEET 3 OF 3

1

2

3

4