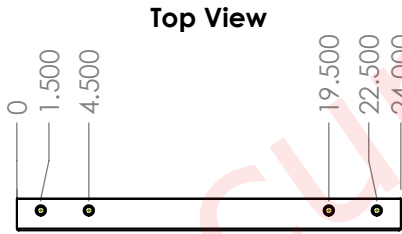
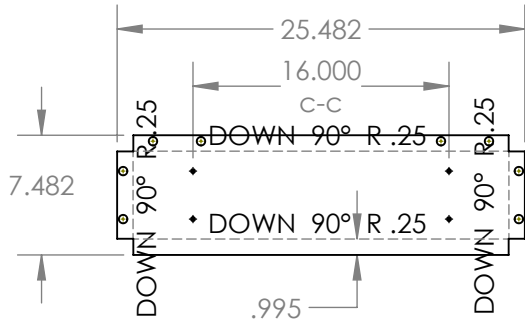
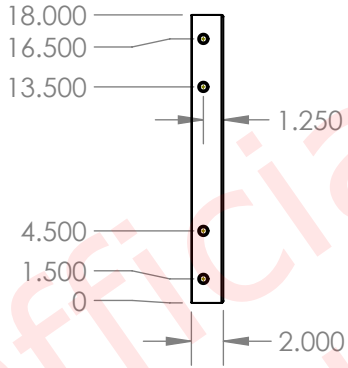


Gopher Sign Co. - Bill of Materials

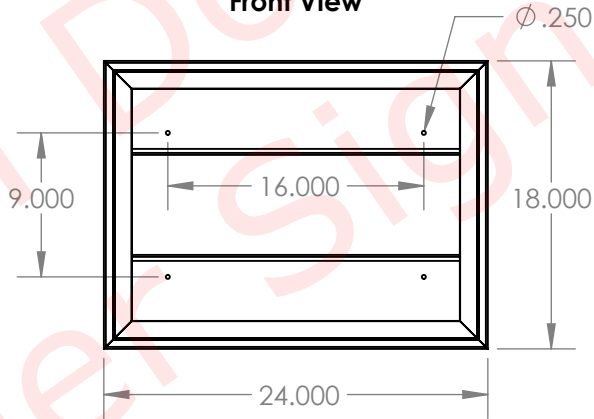
ITEM NO.	Part Number	DESCRIPTION	QTY.	LENGTH	ANGLE1	ANGLE2	Bounding Box Area (ft2)	Sheet Metal Thickness
1.1	803509	ILoc Welded Extrusion 2 x 1.625 x 0.125	2	24	45°	45°	0.00	
1.2	802930	0.125" Formed Wall Bracket	2				1.32	0.125
1.3	803509	ILoc Welded Extrusion 2 x 1.625 x 0.125	2	18	45°	45°	0.00	



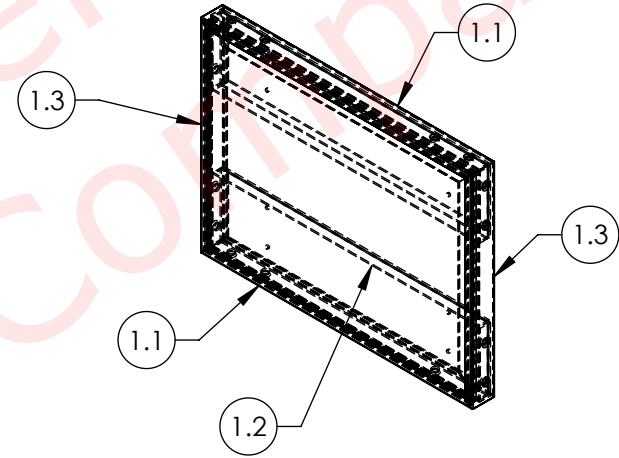
Left View



Front View



Isometric View



Hardware:

- 203911 -Qty. 16 pcs 5/16" x 3/4" black oxide flat head bolts
- 204818 -Qty. 16 pcs 5/16" short nut inserts

Wednesday, September 21, 2022 10:24:12 AM

PROPRIETARY AND CONFIDENTIAL
 THE INFORMATION CONTAINED IN THIS DRAWING IS THE SOLE PROPERTY OF Gopher Sign Company. ANY REPRODUCTION IN PART OR AS A WHOLE WITHOUT THE WRITTEN PERMISSION OF Gopher Sign Company IS PROHIBITED.

DO NOT SCALE DRAWING

Job#
 FINISH:

UNLESS OTHERWISE SPECIFIED:
 DIMENSIONS ARE IN INCHES
 TOLERANCES:
 FRACTIONAL ± 1/16"
 ANGULAR: BEND ± 1°
 TWO PLACE DECIMAL ± 0.06"
 THREE PLACE DECIMAL ± 0.030"

DRAWN: NAME: DATE: 9/21/2022
 COMMENTS:

-Gopher Sign Company-
 103 Highway 22 E - Clear Lake, SD 57226

TITLE:
 Framed Wall Mount

SIZE DWG. NO. REV
A 190210

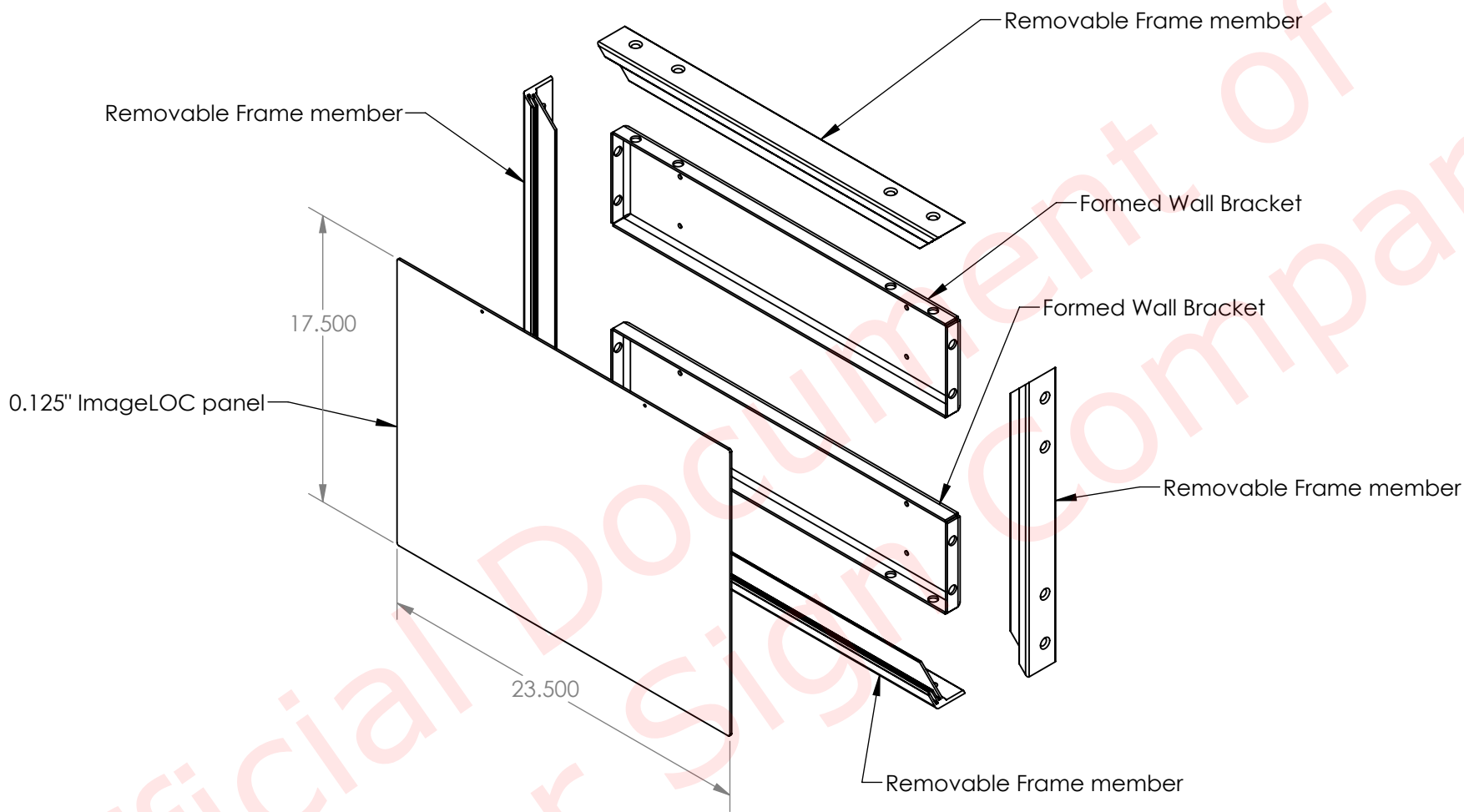
SCALE: 1:24 WEIGHT: SHEET 1 OF 3

1

2

3

4



Removable Frame member

Removable Frame member

17.500

0.125" ImageLOC panel

Formed Wall Bracket

Formed Wall Bracket

23.500

Removable Frame member

Removable Frame member

Qty.

Wednesday, September 21, 2022 10:24:12 AM

PROPRIETARY AND CONFIDENTIAL
 THE INFORMATION CONTAINED IN THIS DRAWING IS THE SOLE PROPERTY OF Gopher Sign Company. ANY REPRODUCTION IN PART OR AS A WHOLE WITHOUT THE WRITTEN PERMISSION OF Gopher Sign Company IS PROHIBITED.

DO NOT SCALE DRAWING

Job# _____
 FINISH: _____

UNLESS OTHERWISE SPECIFIED:
 DIMENSIONS ARE IN INCHES
 TOLERANCES:
 FRACTIONAL ± 1/16"
 ANGULAR: BEND ± 1°
 TWO PLACE DECIMAL ± 0.06"
 THREE PLACE DECIMAL ± 0.030"

NAME	DATE
DRAWN Jonas R.	9/21/2022
COMMENTS:	

-Gopher Sign Company-
 103 Highway 22 E - Clear Lake, SD 57226

TITLE:
Exploded View

SIZE	DWG. NO.	REV
A	190210	

SCALE: 1:8 WEIGHT: SHEET 2 OF 3

1

2

3

4

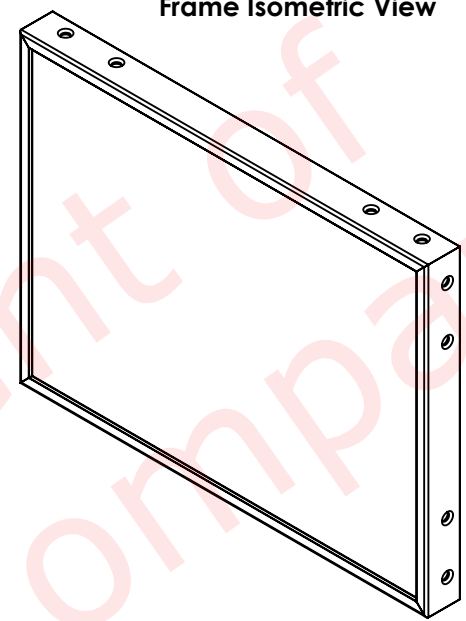
1

2

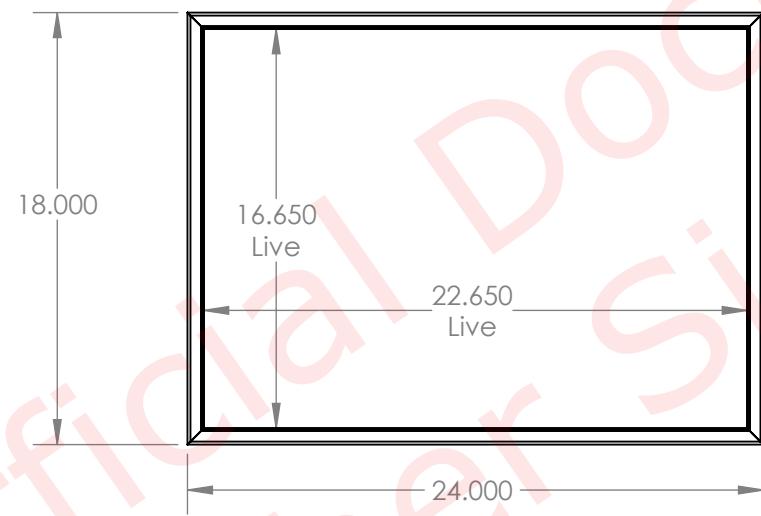
3

4

Frame Isometric View



Frame Front View



Qty.

UNLESS OTHERWISE SPECIFIED:
 DIMENSIONS ARE IN INCHES
 TOLERANCES:
 FRACTIONAL ± 1/16"
 ANGULAR: BEND ± 1°
 TWO PLACE DECIMAL ± 0.06"
 THREE PLACE DECIMAL ± 0.030"

-Gopher Sign Company-
 103 Highway 22 E - Clear Lake, SD 57226

TITLE:
 Frame Detail

DO NOT SCALE DRAWING

PROPRIETARY AND CONFIDENTIAL
 THE INFORMATION CONTAINED IN THIS DRAWING IS THE SOLE PROPERTY OF Gopher Sign Company. ANY REPRODUCTION IN PART OR AS A WHOLE WITHOUT THE WRITTEN PERMISSION OF Gopher Sign Company IS PROHIBITED.

Job# _____
 FINISH: _____

DRAWN	NAME	DATE
Jonas R.		9/21/2022
COMMENTS:		

SIZE	DWG. NO.	REV
A	190210	

Wednesday, September 21, 2022 10:24:12 AM

SCALE: 1:8 WEIGHT: SHEET 3 OF 3

1

2

3

4