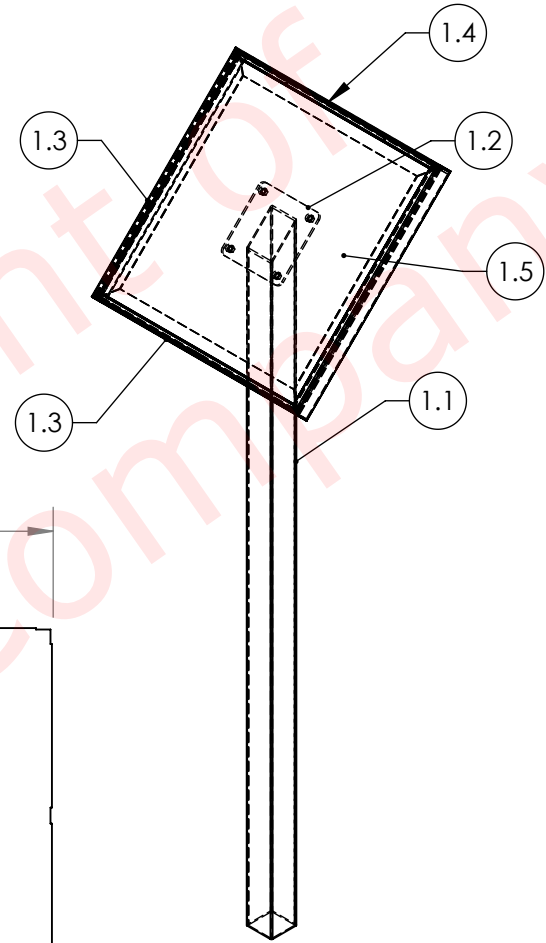


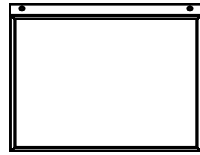
Gopher Sign Co. - Bill of Materials

ITEM NO.	Part Number	DESCRIPTION	QTY.	LENGTH	ANGLE1	ANGLE2	Bounding Box Area (ft2)	Sheet Metal Thickness
1.1	803514	AL 3x3x0.125 Tube	1	72	45°	0°	0.00	
1.2	706400	7x7x0.25 PED Plate	1				0.34	0.25
1.3	803509	ILoc Welded Extrusion 2 x 1.625 x 0.125	3	24	45°	45°	0.00	
1.4	803509	ILoc Welded Extrusion 2 x 1.625 x 0.125	1	24	45°	45°	0.00	
1.5	802902	0.190 Formed Mounting Plate	1				4.06	0.19
1.6	802901	0.125" ImageLOC	1				3.84	0.125

Isometric View



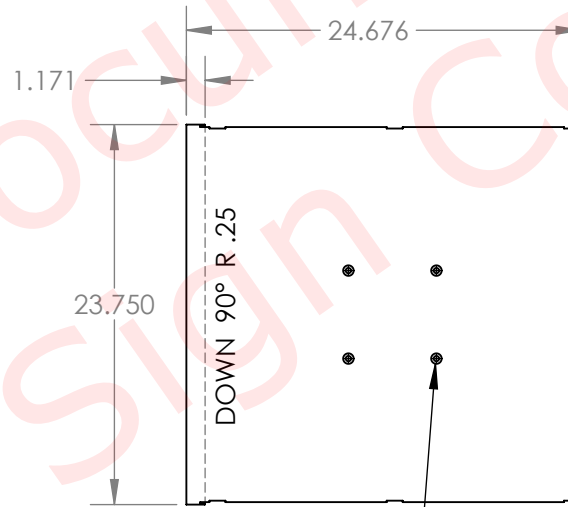
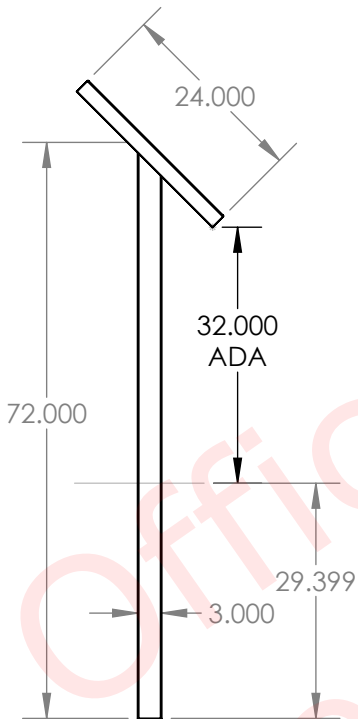
Top View



Front View



Left View



Countersink @ 4 places

Hardware:

- 203911 -Qty. 6 pcs 5/16" x 3/4" black oxide flat head bolts
- 203880 -Qty. 2 pcs 5/16" aluminum hex nuts
- 803830 -Qty. 4 pcs 5/16" serrated flange nut

Monday, August 15, 2022 6:41:35 AM

PROPRIETARY AND CONFIDENTIAL
 THE INFORMATION CONTAINED IN THIS DRAWING IS THE SOLE PROPERTY OF Gopher Sign Company. ANY REPRODUCTION IN PART OR AS A WHOLE WITHOUT THE WRITTEN PERMISSION OF Gopher Sign Company IS PROHIBITED.

DO NOT SCALE DRAWING

Job#
 FINISH:

UNLESS OTHERWISE SPECIFIED:
 DIMENSIONS ARE IN INCHES
 TOLERANCES:
 FRACTIONAL ± 1/16"
 ANGULAR: BEND ± 1°
 TWO PLACE DECIMAL ± 0.06"
 THREE PLACE DECIMAL ± 0.030"

NAME	DATE
DRAWN Jonas R.	3/10/2020
COMMENTS:	

-Gopher Sign Company-
 103 Highway 22 E - Clear Lake, SD 57226

TITLE: Pedestal, Welded Frame, Direct Embed

SIZE	DWG. NO.	REV
A	183220	

SCALE: 1:24 WEIGHT: SHEET 1 OF 3

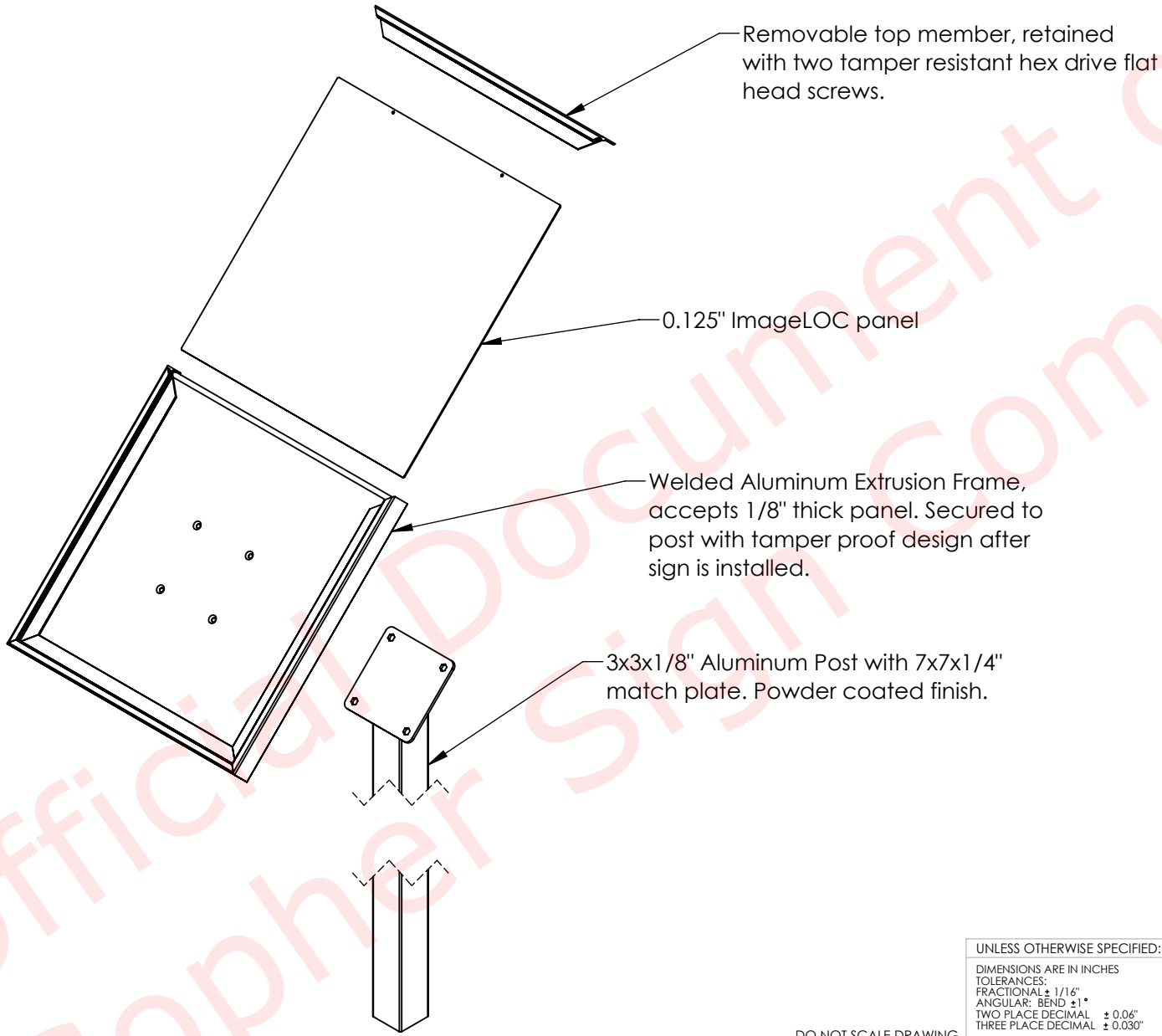
Qty.

1

2

3

4



PROPRIETARY AND CONFIDENTIAL
 THE INFORMATION CONTAINED IN THIS DRAWING IS THE SOLE PROPERTY OF Gopher Sign Company. ANY REPRODUCTION IN PART OR AS A WHOLE WITHOUT THE WRITTEN PERMISSION OF Gopher Sign Company IS PROHIBITED.

DO NOT SCALE DRAWING

Job# _____
 FINISH: _____

UNLESS OTHERWISE SPECIFIED:		
DIMENSIONS ARE IN INCHES		
TOLERANCES:		
FRACTIONAL	± 1/16"	
ANGULAR	BEND ± 1°	
TWO PLACE DECIMAL	± 0.06"	
THREE PLACE DECIMAL	± 0.030"	
DRAWN	NAME	DATE
Jonas R.		3/10/2020
COMMENTS:		

-Gopher Sign Company-		
103 Highway 22 E - Clear Lake, SD 57226		
TITLE:		
SIZE	DWG. NO.	REV
A	183220	
SCALE: 1:24	WEIGHT:	SHEET 2 OF 3

1

2

3

4

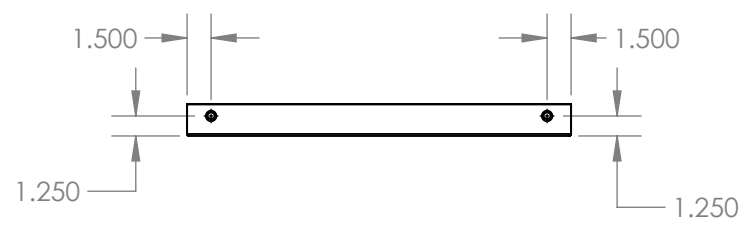
1

2

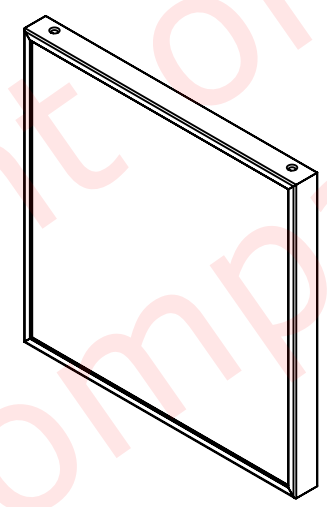
3

4

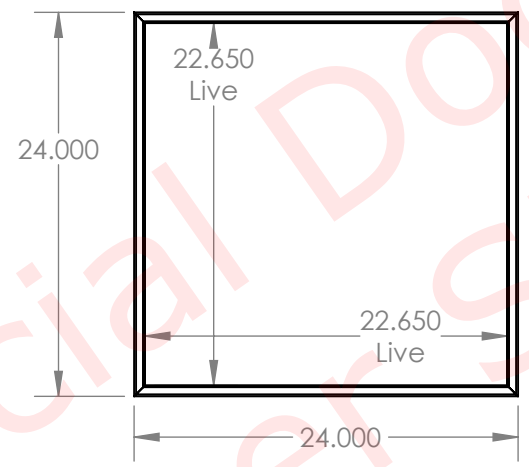
Frame Top View



Frame Isometric View



Frame Front View



Qty.

UNLESS OTHERWISE SPECIFIED:
 DIMENSIONS ARE IN INCHES
 TOLERANCES:
 FRACTIONAL ± 1/16"
 ANGULAR: BEND ± 1°
 TWO PLACE DECIMAL ± 0.06"
 THREE PLACE DECIMAL ± 0.030"

-Gopher Sign Company-
 103 Highway 22 E - Clear Lake, SD 57226

TITLE:
 Frame Detail

DO NOT SCALE DRAWING

PROPRIETARY AND CONFIDENTIAL
 THE INFORMATION CONTAINED IN THIS DRAWING IS THE SOLE PROPERTY OF Gopher Sign Company. ANY REPRODUCTION IN PART OR AS A WHOLE WITHOUT THE WRITTEN PERMISSION OF Gopher Sign Company IS PROHIBITED.

Job# _____
 FINISH: _____

DRAWN	NAME	DATE
Jonas R.		3/10/2020
COMMENTS:		

SIZE	DWG. NO.	REV
A	183220	

Monday, August 15, 2022 6:41:35 AM

SCALE: 1:24 WEIGHT: SHEET 3 OF 3

1

2

3

4