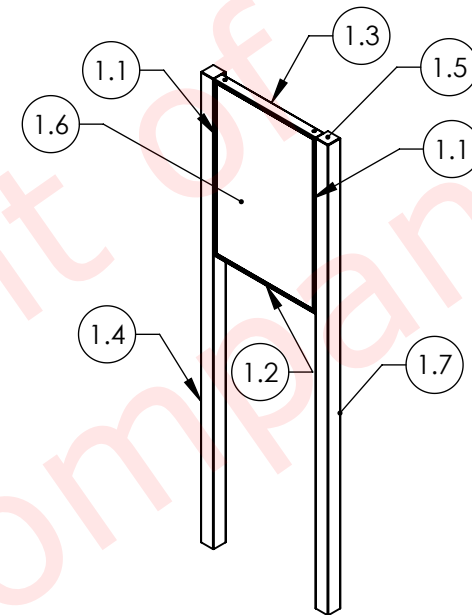


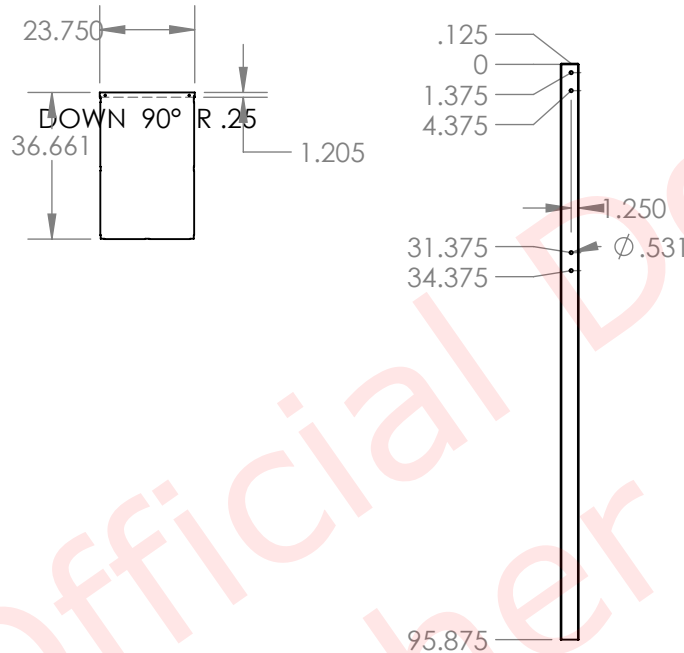
Gopher Sign Co. - Bill of Materials

ITEM NO.	Part Number	DESCRIPTION	QTY.	LENGTH	ANGLE1	ANGLE2	Bounding Box Area (ft2)	Sheet Metal Thickness
1.1	803509	ImageLOC Extrusion 2 x 1.625 x 0.125	2	36	45°	45°	0.00	
1.2	803509	ImageLOC Extrusion 2 x 1.625 x 0.125	1	24	45°	45°	0.00	
1.3	803509	ImageLOC Extrusion 2 x 1.625 x 0.125	1	24	45°	45°	0.00	
1.4	803514	AL 3x3x0.125 Tube	1	95.875	0°	0°	0.00	
1.5	803514	3x3 Endcap 0.125" Thick	2				0.00	
1.6	802900	0.125" Backplate	1				6.05	0.125
1.7	803514	AL 3x3x0.125 Tube	1	95.875	0°	0°	0.00	
1.8	802901	ImageLOC 0.125" Panel	1				5.79	0.125

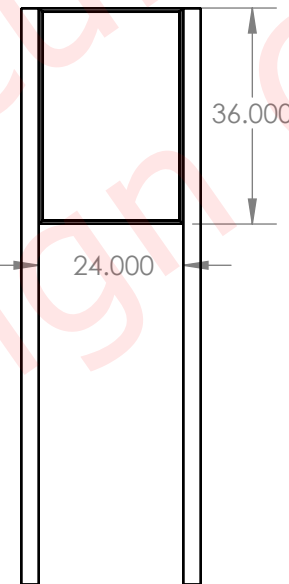
Isometric View



Left View



Front View



Hardware:

- 203905 -Qty. 8 pcs, 5/16" x 1" blk ox btn hd bolt
- 203871 -Qty. 8 pcs, 5/16" flat washer
- 203909 -Qty. 8 pcs, 5/16" lock washer
- 820418 -Qty. 8 pcs, 5/16" nut inserts (short)
- 203907 -Qty. 2 pcs 5/16" x 3/4" flat hd lk ox bolt
- 203880 -Qty. 2 pcs 5/16" aluminum hex nuts

Qty.

UNLESS OTHERWISE SPECIFIED:

DIMENSIONS ARE IN INCHES
 TOLERANCES:
 FRACTIONAL: ± 1/16"
 ANGULAR: BEND ± 1°
 TWO PLACE DECIMAL: ± 0.06"
 THREE PLACE DECIMAL: ± 0.030"

-Gopher Sign Company-
 103 Highway 22 E - Clear Lake, SD 57226

TITLE:

DO NOT SCALE DRAWING

PROPRIETARY AND CONFIDENTIAL

THE INFORMATION CONTAINED IN THIS DRAWING IS THE SOLE PROPERTY OF Gopher Sign Company. ANY REPRODUCTION IN PART OR AS A WHOLE WITHOUT THE WRITTEN PERMISSION OF Gopher Sign Company IS PROHIBITED.

Job#

FINISH:

NAME	DATE
DRAWN Jonas R.	3/19/2019

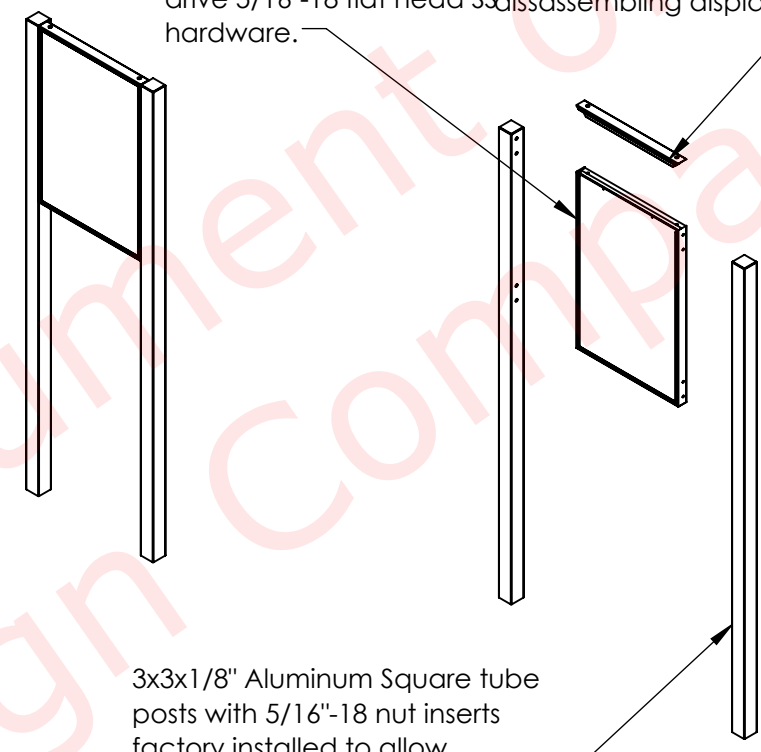
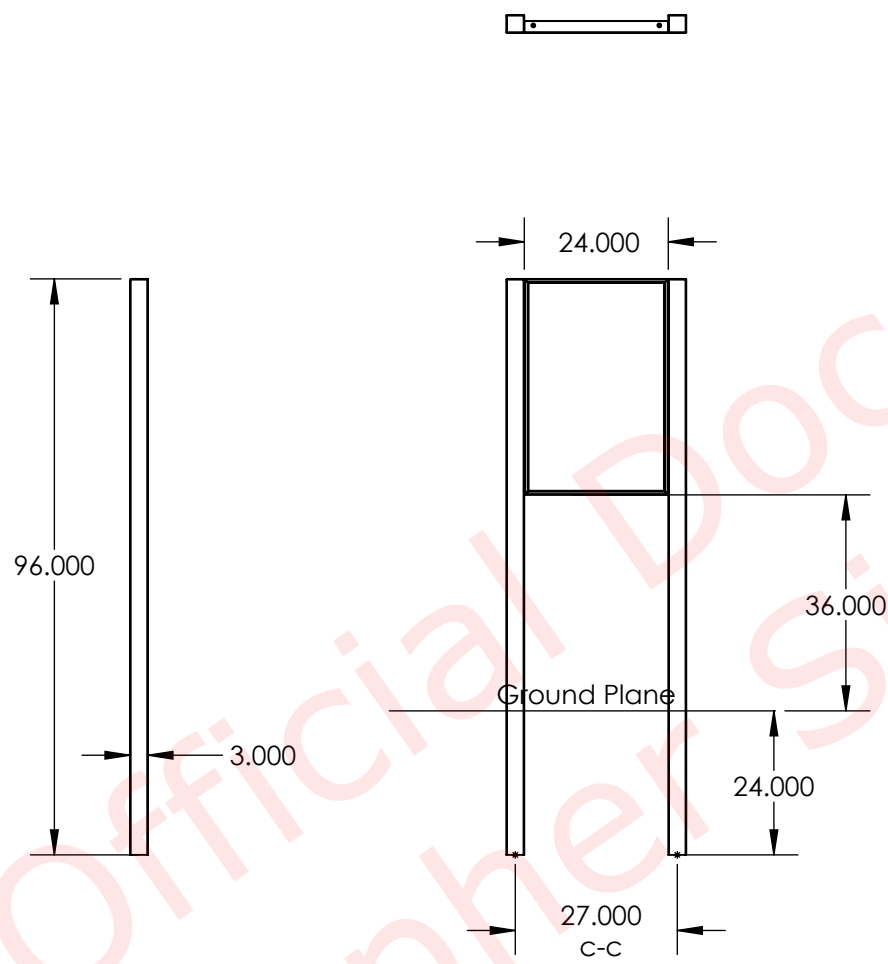
COMMENTS:

SIZE	DWG. NO.	REV
A	170230	

SCALE: 1:24 WEIGHT:

SHEET 1 OF 3

Removable top member
 Sign frame with integral full allows sign to be flipped
 back plate. Removable top to show rear "spare"
 member secured with hex sign", without
 drive 5/16"-18 flat head SS
 assembling display.
 hardware.



3x3x1/8" Aluminum Square tube
 posts with 5/16"-18 nut inserts
 factory installed to allow
 mounting of the sign frame.

Qty. TBD

UNLESS OTHERWISE SPECIFIED:
 DIMENSIONS ARE IN INCHES
 TOLERANCES:
 FRACTIONAL: ± 1/16"
 ANGULAR: BEND ± 1°
 TWO PLACE DECIMAL ± 0.06"
 THREE PLACE DECIMAL ± 0.030"

-Gopher Sign Company-
 103 Highway 22 E - Clear Lake, SD 57226

TITLE: Standard Low Profile
 Cantilever Display

SIZE DWG. NO. REV
A 170230

SCALE: 1:24 WEIGHT: SHEET 2 OF 3

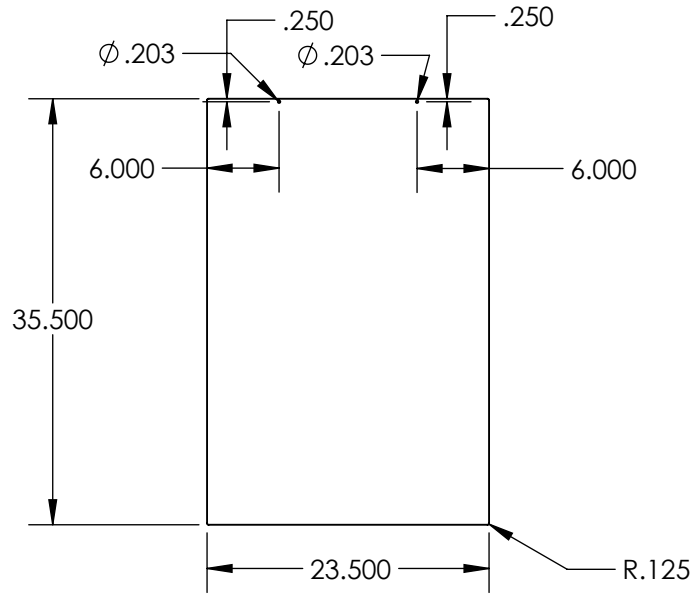
DO NOT SCALE DRAWING

Job# TBD

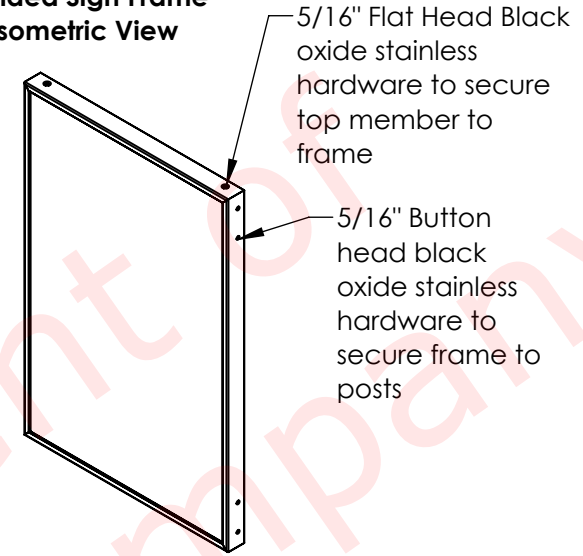
FINISH:
 Powdercoat

PROPRIETARY AND CONFIDENTIAL
 THE INFORMATION CONTAINED IN THIS
 DRAWING IS THE SOLE PROPERTY OF
Gopher Sign Company. ANY
 REPRODUCTION IN PART OR AS A WHOLE
 WITHOUT THE WRITTEN PERMISSION OF
Gopher Sign Company IS PROHIBITED.

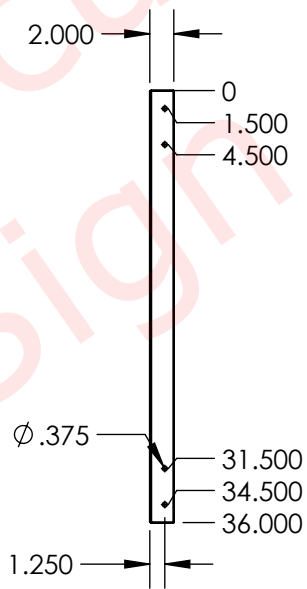
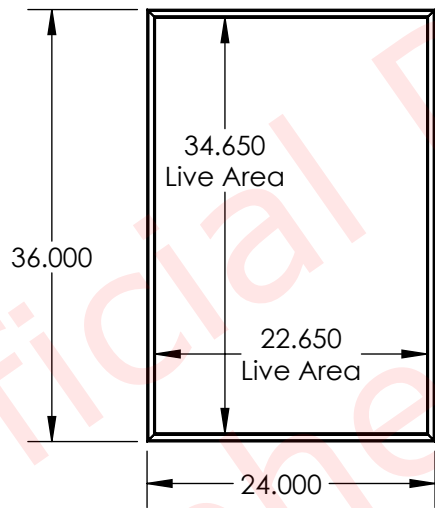
0.125" ImageLOC Panel



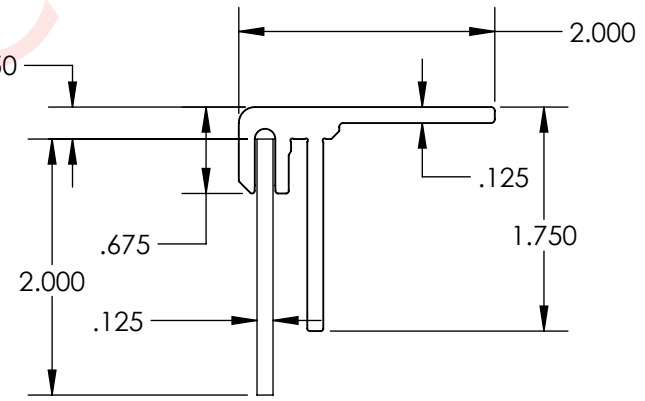
Welded Sign Frame Isometric View



Welded Sign Frame



Welded Frame Extrusion Profile



Qty. TBD

UNLESS OTHERWISE SPECIFIED:
 DIMENSIONS ARE IN INCHES
 TOLERANCES:
 FRACTIONAL: $\pm 1/16"$
 ANGULAR: BEND $\pm 1^\circ$
 TWO PLACE DECIMAL: $\pm 0.06"$
 THREE PLACE DECIMAL: $\pm 0.030"$

-Gopher Sign Company-
 103 Highway 22 E - Clear Lake, SD 57226

TITLE:
Welded Frame Detail

SIZE DWG. NO. REV
A 170230

SCALE: 1:24 WEIGHT: SHEET 3 OF 3

DO NOT SCALE DRAWING

PROPRIETARY AND CONFIDENTIAL
 THE INFORMATION CONTAINED IN THIS DRAWING IS THE SOLE PROPERTY OF Gopher Sign Company. ANY REPRODUCTION IN PART OR AS A WHOLE WITHOUT THE WRITTEN PERMISSION OF Gopher Sign Company IS PROHIBITED.

Job# **TBD**
 FINISH: **Powdercoat**

NAME	DATE
DRAWN Jonas R.	3/19/2019
COMMENTS:	