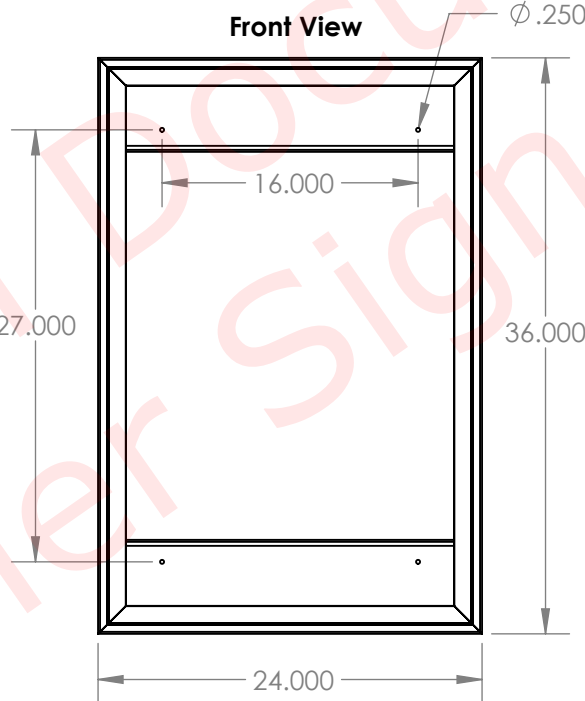
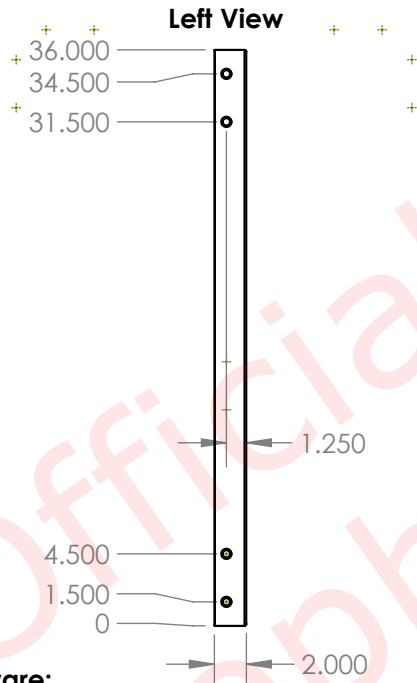
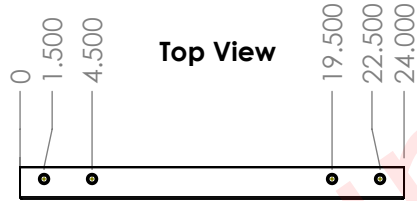
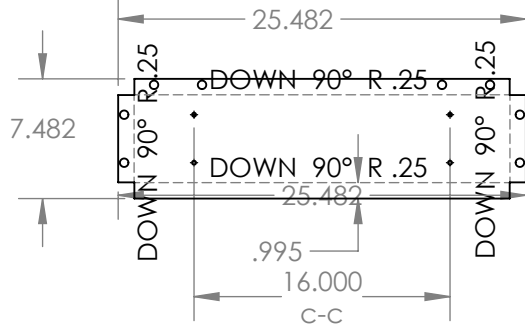
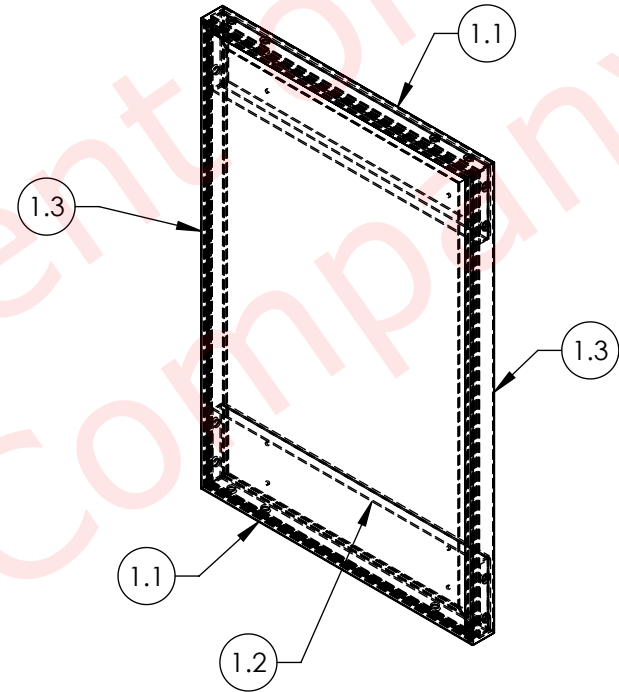


Gopher Sign Co. - Bill of Materials

ITEM NO.	Part Number	DESCRIPTION	QTY.	LENGTH	ANGLE1	ANGLE2	Bounding Box Area (ft ²)	Sheet Metal Thickness
1.1	803509	ILoc Welded Extrusion 2 x 1.625 x 0.125	2	24	45°	45°	0.00	
1.2	802930	0.125" Formed Wall Bracket	2				1.32	0.125
1.3	803509	ILoc Welded Extrusion 2 x 1.625 x 0.125	2	36	45°	45°	0.00	



Isometric View



Hardware:

- 203911 -Qty. 16 pcs 5/16" x 3/4" black oxide flat head bolts
- 204818 -Qty. 16 pcs 5/16" short nut inserts

Wednesday, September 21, 2022 10:30:12 AM

PROPRIETARY AND CONFIDENTIAL
THE INFORMATION CONTAINED IN THIS DRAWING IS THE SOLE PROPERTY OF Gopher Sign Company. ANY REPRODUCTION IN PART OR AS A WHOLE WITHOUT THE WRITTEN PERMISSION OF Gopher Sign Company IS PROHIBITED.

DO NOT SCALE DRAWING

Job#
FINISH:

UNLESS OTHERWISE SPECIFIED:
DIMENSIONS ARE IN INCHES
TOLERANCES:
FRACTIONAL $\pm 1/16"$
ANGULAR: BEND $\pm 1^\circ$
TWO PLACE DECIMAL $\pm 0.06"$
THREE PLACE DECIMAL $\pm 0.030"$

NAME	DATE
DRAWN Jonas R.	9/21/2022
COMMENTS:	

-Gopher Sign Company-
103 Highway 22 E - Clear Lake, SD 57226
TITLE:
Framed Wall Mount

SIZE	DWG. NO.	REV
A	190230	

SCALE: 1:24 WEIGHT: SHEET 1 OF 3

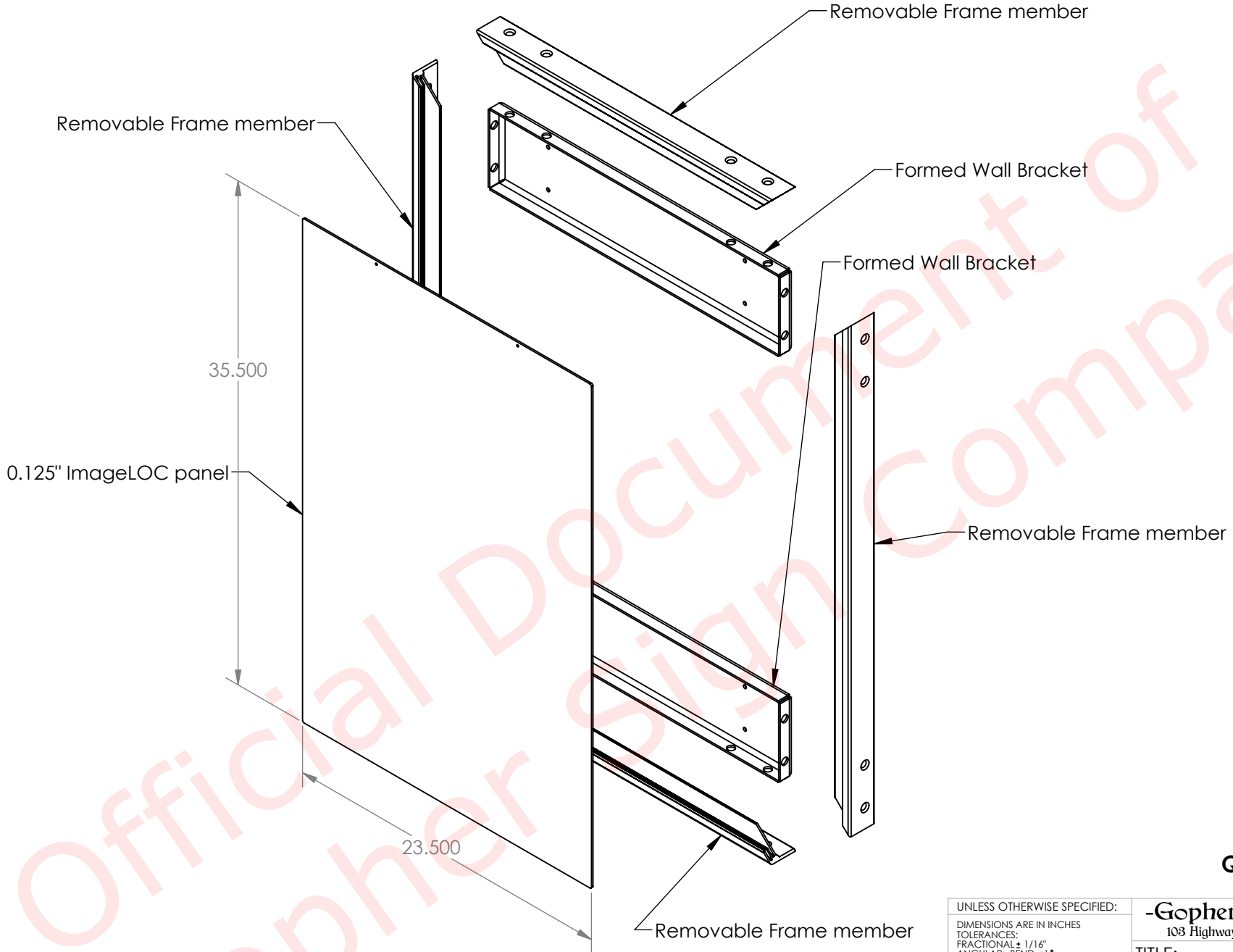
Qty.

1

2

3

4



Removable Frame member

Removable Frame member

Formed Wall Bracket

Formed Wall Bracket

Removable Frame member

Removable Frame member

35.500

0.125" ImageLOC panel

23.500

Qty.

UNLESS OTHERWISE SPECIFIED:
 DIMENSIONS ARE IN INCHES
 TOLERANCES:
 FRACTIONAL ± 1/16"
 ANGULAR: BEND ± 1°
 TWO PLACE DECIMAL ± 0.06"
 THREE PLACE DECIMAL ± 0.030"

-Gopher Sign Company-
 103 Highway 22 E - Clear Lake, SD 57226

TITLE:
 Exploded View

DO NOT SCALE DRAWING

PROPRIETARY AND CONFIDENTIAL
 THE INFORMATION CONTAINED IN THIS DRAWING IS THE SOLE PROPERTY OF Gopher Sign Company. ANY REPRODUCTION IN PART OR AS A WHOLE WITHOUT THE WRITTEN PERMISSION OF Gopher Sign Company IS PROHIBITED.

Job# _____
 FINISH: _____

NAME	DATE
DRAWN Jonas R.	9/21/2022
COMMENTS:	

SIZE	DWG. NO.	REV
A	190230	

Wednesday, September 21, 2022 10:30:12 AM

SCALE: 1:8 WEIGHT: SHEET 2 OF 3

1

2

3

4

36.000

34.650
Live

22.650
Live

24.000

Frame Front View

Frame Isometric View

Qty.

UNLESS OTHERWISE SPECIFIED:

DIMENSIONS ARE IN INCHES
TOLERANCES:
FRACTIONAL $\pm 1/16"$
ANGULAR: BEND $\pm 1^\circ$
TWO PLACE DECIMAL $\pm 0.06"$
THREE PLACE DECIMAL $\pm 0.030"$

-Gopher Sign Company-
103 Highway 22 E - Clear Lake, SD 57226

TITLE:
Frame Detail

DO NOT SCALE DRAWING

PROPRIETARY AND CONFIDENTIAL

THE INFORMATION CONTAINED IN THIS DRAWING IS THE SOLE PROPERTY OF Gopher Sign Company. ANY REPRODUCTION IN PART OR AS A WHOLE WITHOUT THE WRITTEN PERMISSION OF Gopher Sign Company IS PROHIBITED.

Job#

FINISH:

NAME DATE

DRAWN Jonas R. 9/21/2022

COMMENTS:

SIZE DWG. NO.

A 190230

REV

SCALE: 1:8 WEIGHT:

SHEET 3 OF 3

Wednesday, September 21, 2022 10:30:12 AM