

Gopher Sign Co. - Bill of Materials

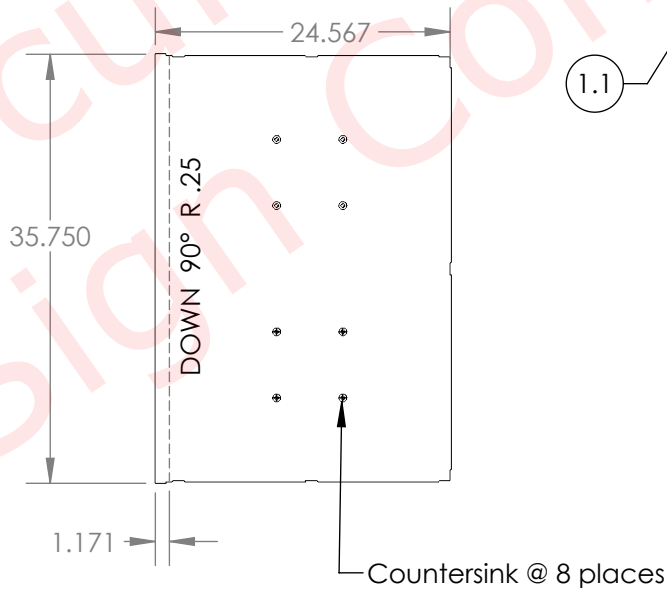
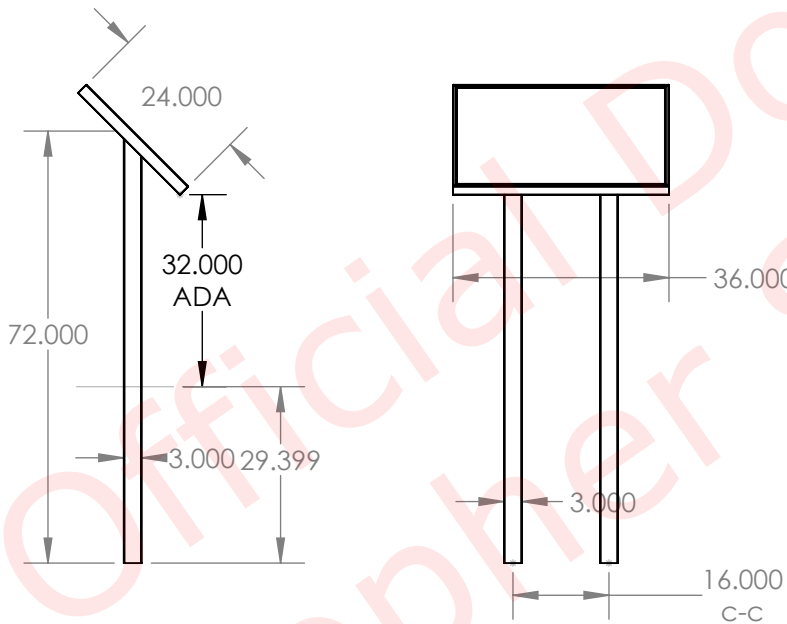
ITEM NO.	Part Number	DESCRIPTION	QTY.	LENGTH	ANGLE1	ANGLE2	Bounding Box Area (ft2)	Sheet Metal Thickness
1.1	803514	AL 3x3x0.125 Tube	2	72	45°	0°	0.00	
1.2	706400	7x7x0.25 PED Plate	2				0.34	0.25
1.3	803509	ILoc Welded Extrusion 2 x 1.625 x 0.125	2	24	45°	45°	0.00	
1.4	803509	ILoc Welded Extrusion 2 x 1.625 x 0.125	1	36	45°	45°	0.00	
1.5	802902	0.190 Formed Mounting Plate	1				6.10	0.19
1.6	802901	ImageLOC Panel	1				5.79	0.125
1.7	803509	ILoc Welded Extrusion 2 x 1.625 x 0.125	1	36	45°	45°	0.00	

Top View

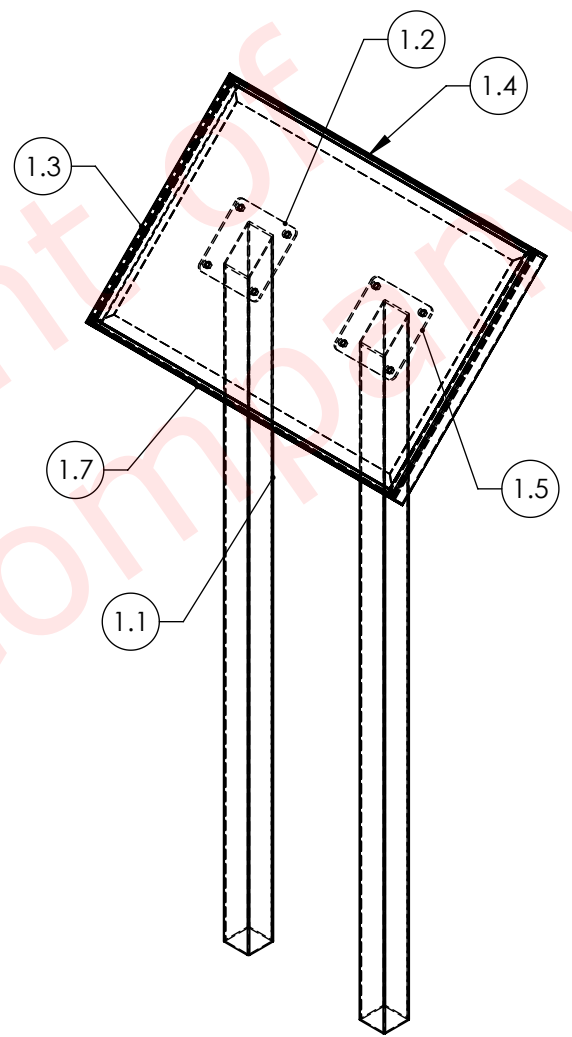
Left View



Front View



Isometric View



Qty.

- Hardware:**
- 203911 -Qty. 10 pcs 5/16" x 3/4" black oxide flat head bolts
 - 203880 -Qty. 2 pcs 5/16" aluminum hex nuts
 - 803830 -Qty. 8 pcs 5/16" serrated flange nut

Monday, August 15, 2022 7:47:10 AM

PROPRIETARY AND CONFIDENTIAL
 THE INFORMATION CONTAINED IN THIS DRAWING IS THE SOLE PROPERTY OF Gopher Sign Company. ANY REPRODUCTION IN PART OR AS A WHOLE WITHOUT THE WRITTEN PERMISSION OF Gopher Sign Company IS PROHIBITED.

DO NOT SCALE DRAWING
 Job#
 FINISH:

UNLESS OTHERWISE SPECIFIED:	
DIMENSIONS ARE IN INCHES	
TOLERANCES:	
FRACTIONAL ± 1/16"	
ANGULAR: BEND ± 1°	
TWO PLACE DECIMAL ± 0.06"	
THREE PLACE DECIMAL ± 0.030"	
NAME	DATE
DRAWN Jonas R.	3/10/2020
COMMENTS:	

-Gopher Sign Company-
 103 Highway 22 E - Clear Lake, SD 57226

TITLE: Pedestal, Welded Frame, Direct Embed

SIZE DWG. NO. REV
A 183321

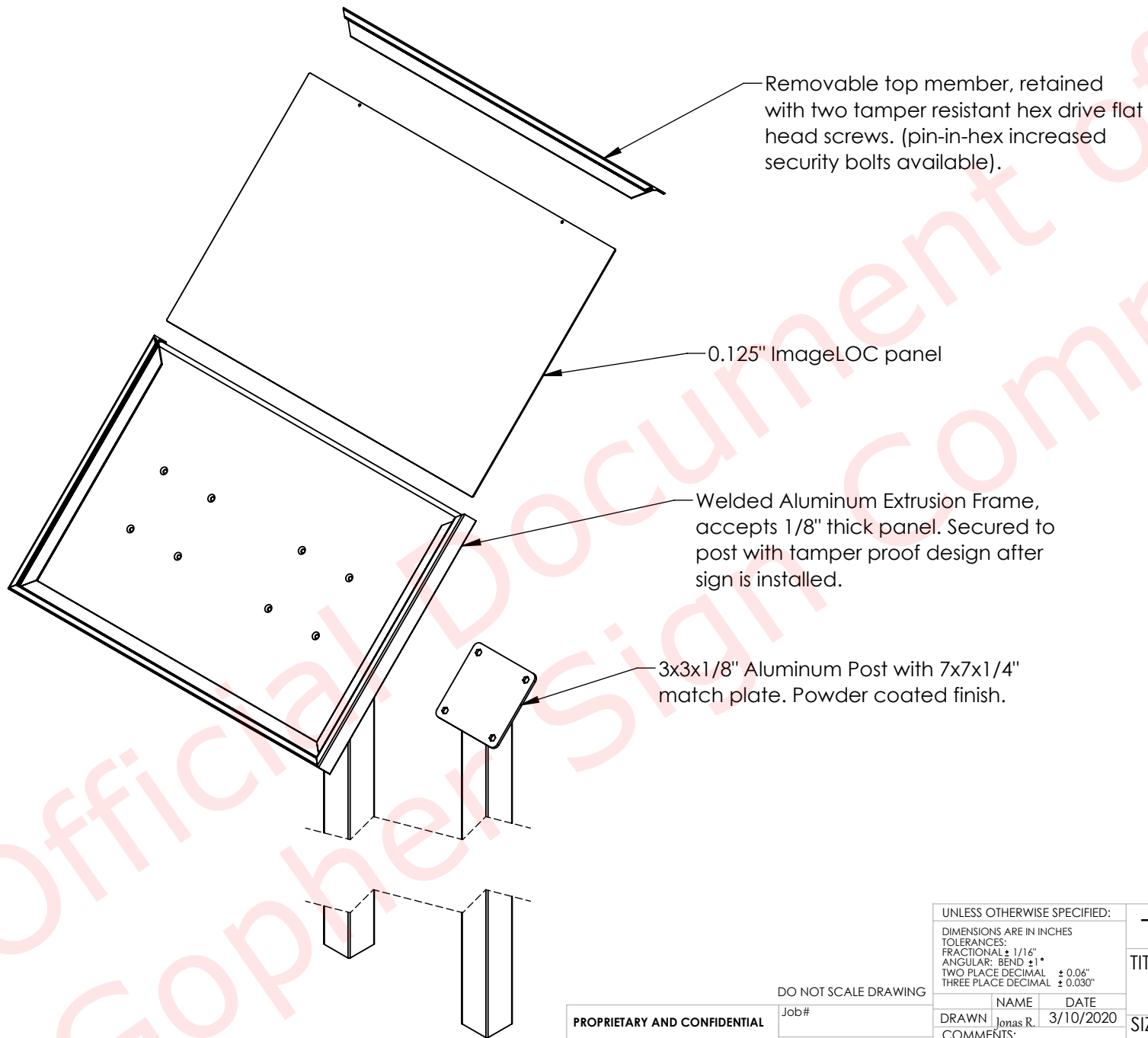
SCALE: 1:24 WEIGHT: SHEET 1 OF 3

1

2

3

4



Qty.

UNLESS OTHERWISE SPECIFIED:

DIMENSIONS ARE IN INCHES
 TOLERANCES:
 FRACTIONAL: $\pm 1/16"$
 ANGULAR: BEND $\pm 1^\circ$
 TWO PLACE DECIMAL: $\pm 0.06"$
 THREE PLACE DECIMAL: $\pm 0.030"$

-Gopher Sign Company-
 103 Highway 22 E - Clear Lake, SD 57226

TITLE:

DO NOT SCALE DRAWING

PROPRIETARY AND CONFIDENTIAL
 THE INFORMATION CONTAINED IN THIS DRAWING IS THE SOLE PROPERTY OF Gopher Sign Company. ANY REPRODUCTION IN PART OR AS A WHOLE WITHOUT THE WRITTEN PERMISSION OF Gopher Sign Company IS PROHIBITED.

Job#

FINISH:

NAME	DATE
Jonas R.	3/10/2020
COMMENTS:	

SIZE DWG. NO.

A 183321

REV

SCALE: 1:24 WEIGHT:

SHEET 2 OF 3

Monday, August 15, 2022 7:47:10 AM

1

2

3

4

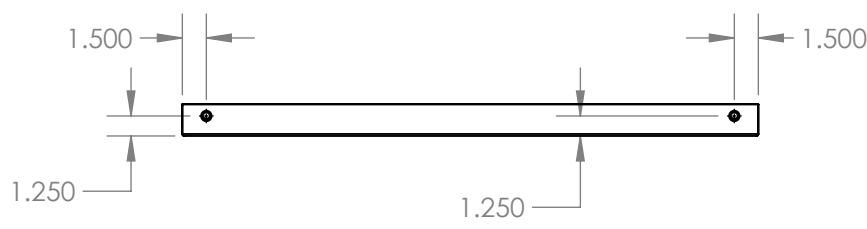
1

2

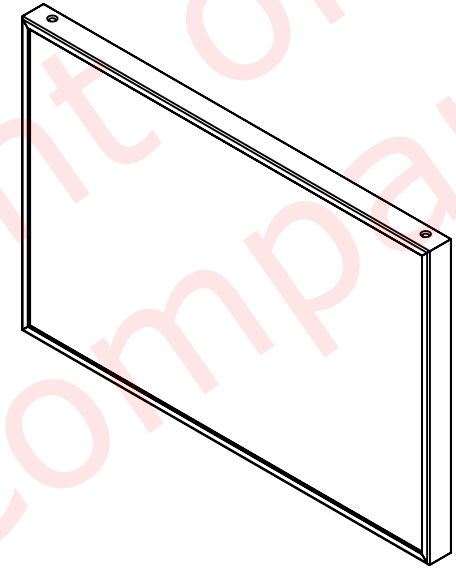
3

4

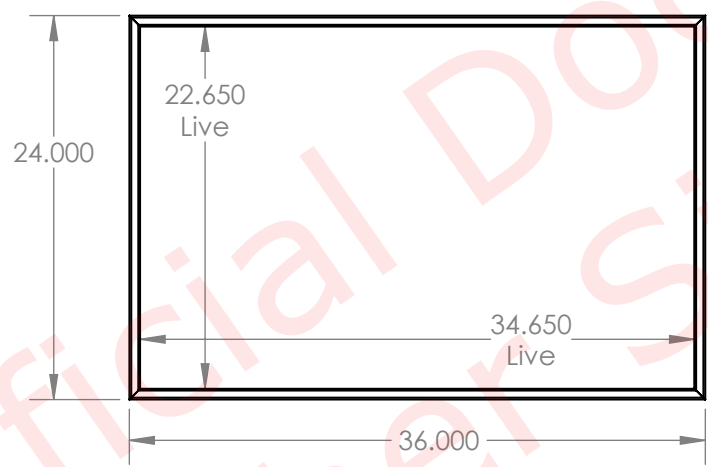
Frame Top View



Frame Isometric View



Frame Front View



Qty.

UNLESS OTHERWISE SPECIFIED:
 DIMENSIONS ARE IN INCHES
 TOLERANCES:
 FRACTIONAL ± 1/16"
 ANGULAR: BEND ± 1°
 TWO PLACE DECIMAL ± 0.06"
 THREE PLACE DECIMAL ± 0.030"

-Gopher Sign Company-
 103 Highway 22 E - Clear Lake, SD 57226

TITLE:
 Frame Detail

DO NOT SCALE DRAWING

PROPRIETARY AND CONFIDENTIAL
 THE INFORMATION CONTAINED IN THIS DRAWING IS THE SOLE PROPERTY OF Gopher Sign Company. ANY REPRODUCTION IN PART OR AS A WHOLE WITHOUT THE WRITTEN PERMISSION OF Gopher Sign Company IS PROHIBITED.

Job#
 FINISH:

DRAWN	NAME	DATE
Jonas R.		3/10/2020
COMMENTS:		

SIZE	DWG. NO.	REV
A	183321	

Monday, August 15, 2022 7:47:10 AM

SCALE: 1:24 WEIGHT: SHEET 3 OF 3

1

2

3

4