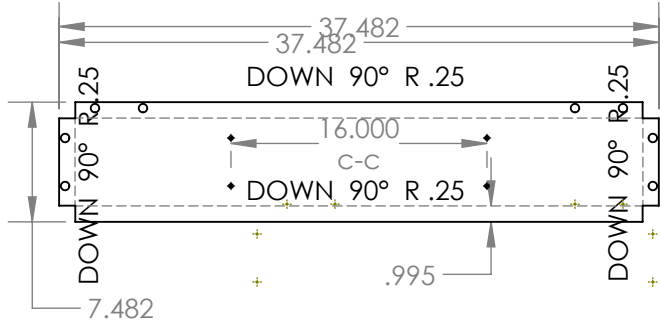
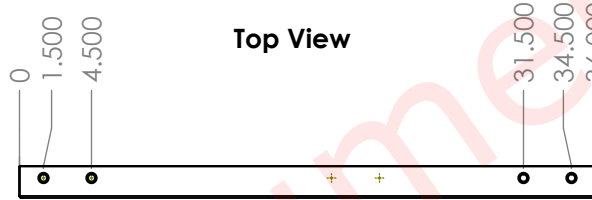


Gopher Sign Co. - Bill of Materials

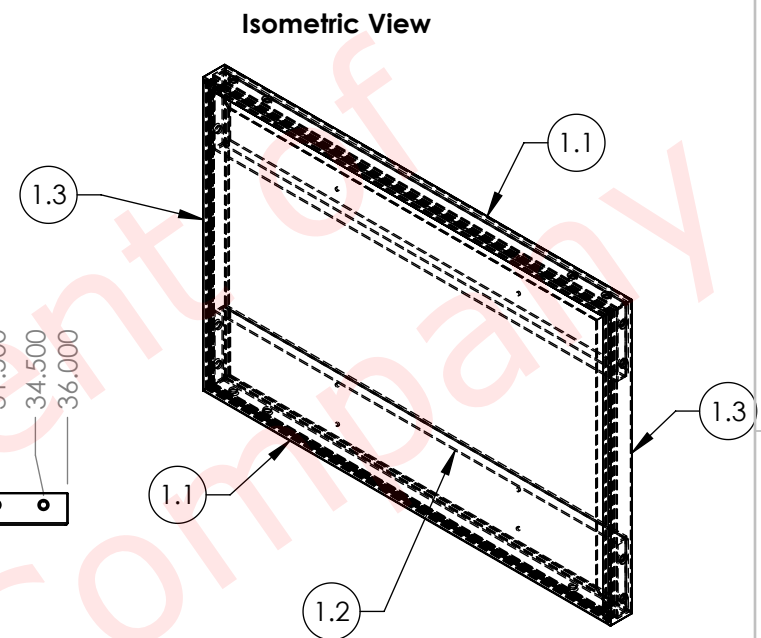
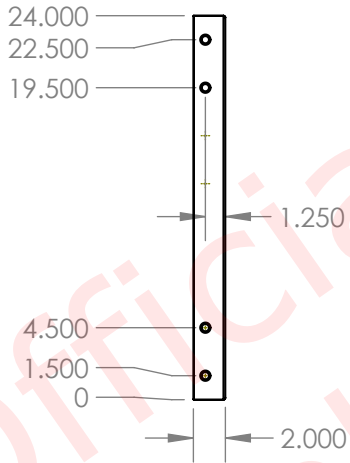
ITEM NO.	Part Number	DESCRIPTION	QTY.	LENGTH	ANGLE1	ANGLE2	Bounding Box Area (ft2)	Sheet Metal Thickness
1.1	803509	ILoc Welded Extrusion 2 x 1.625 x 0.125	2	36	45°	45°	0.00	
1.2	802930	0.125" Formed Wall Bracket	2				1.95	0.125
1.3	803509	ILoc Welded Extrusion 2 x 1.625 x 0.125	2	24	45°	45°	0.00	



Left View



Front View



Isometric View

Hardware:
 -203911 -Qty. 16 pcs 5/16" x 3/4" black oxide flat head bolts
 -204818 -Qty. 16 pcs 5/16" short nut inserts

Wednesday, September 21, 2022 10:35:30 AM

PROPRIETARY AND CONFIDENTIAL
 THE INFORMATION CONTAINED IN THIS DRAWING IS THE SOLE PROPERTY OF Gopher Sign Company. ANY REPRODUCTION IN PART OR AS A WHOLE WITHOUT THE WRITTEN PERMISSION OF Gopher Sign Company IS PROHIBITED.

DO NOT SCALE DRAWING

Job# _____
 FINISH: _____

UNLESS OTHERWISE SPECIFIED:
 DIMENSIONS ARE IN INCHES
 FRACTIONAL: ± 1/16"
 ANGULAR: BEND ± 1°
 TWO PLACE DECIMAL ± 0.06"
 THREE PLACE DECIMAL ± 0.030"

NAME	DATE
DRAWN Jonas R.	9/21/2022
COMMENTS:	

-Gopher Sign Company-
 103 Highway 22 E - Clear Lake, SD 57226

TITLE:
Framed Wall Mount

SIZE A	DWG. NO. 190320	REV
---------------	------------------------	-----

SCALE: 1:24 WEIGHT: SHEET 1 OF 3

1

2

3

4

Removable Frame member

Removable Frame member

Formed Wall Bracket

Formed Wall Bracket

Removable Frame member

Removable Frame member

23.500

0.125" ImageLOC panel

35.500

Qty.

UNLESS OTHERWISE SPECIFIED:

DIMENSIONS ARE IN INCHES
TOLERANCES:
FRACTIONAL: ± 1/16"
ANGULAR: BEND ± 1°
TWO PLACE DECIMAL: ± 0.06"
THREE PLACE DECIMAL: ± 0.030"

-Gopher Sign Company-
103 Highway 22 E - Clear Lake, SD 57226

TITLE:
Exploded View

DO NOT SCALE DRAWING

PROPRIETARY AND CONFIDENTIAL
THE INFORMATION CONTAINED IN THIS DRAWING IS THE SOLE PROPERTY OF Gopher Sign Company. ANY REPRODUCTION IN PART OR AS A WHOLE WITHOUT THE WRITTEN PERMISSION OF Gopher Sign Company IS PROHIBITED.

Job#
FINISH:

NAME DATE
DRAWN Jonas R. 9/21/2022
COMMENTS:

SIZE DWG. NO. REV
A 190320

Wednesday, September 21, 2022 10:35:30 AM

SCALE: 1:8 WEIGHT: SHEET 2 OF 3

1

2

3

4

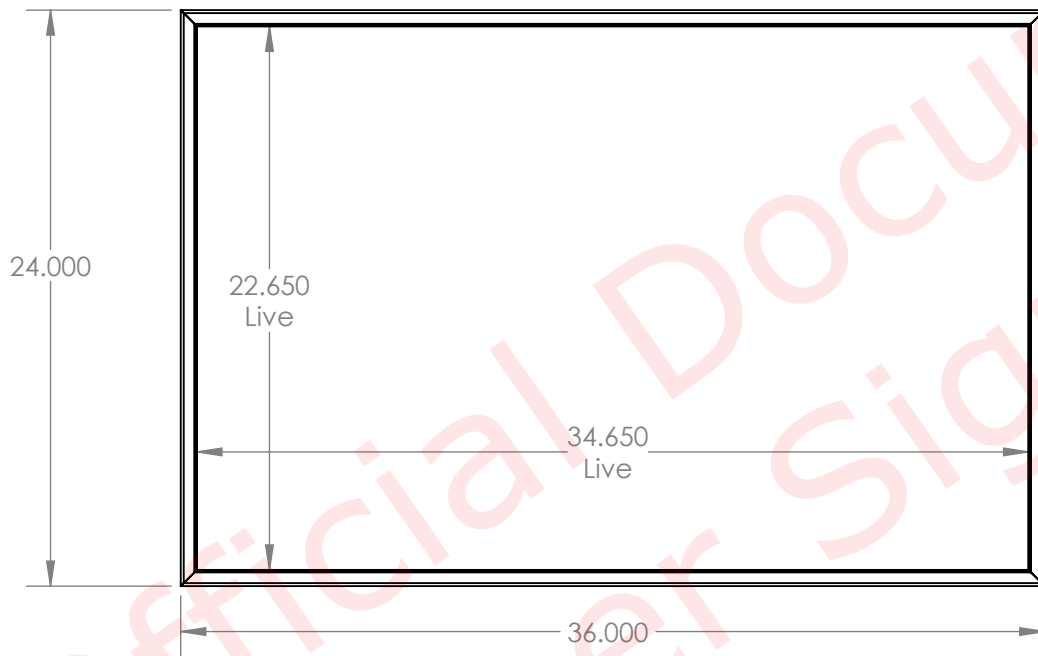
1

2

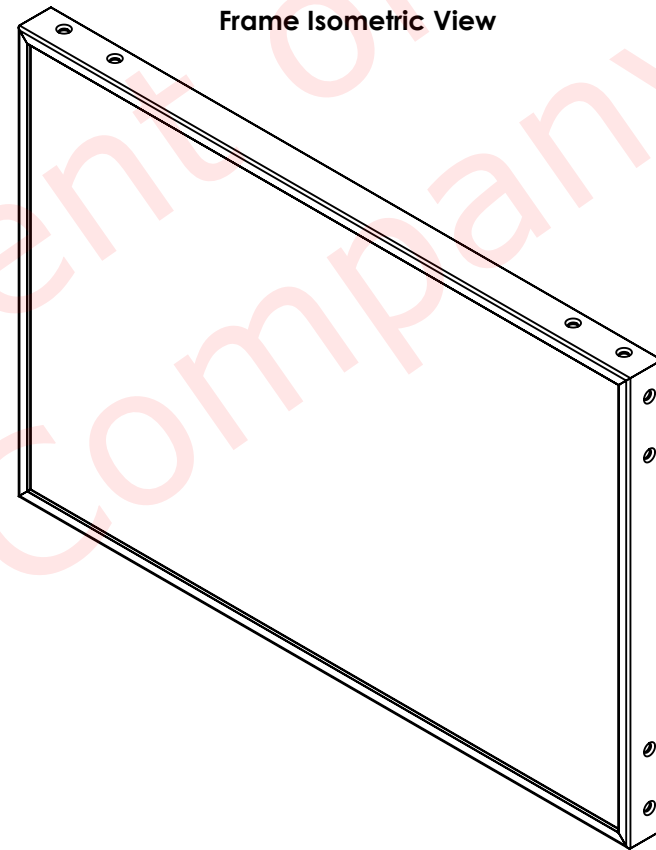
3

4

Frame Front View



Frame Isometric View



Qty.

UNLESS OTHERWISE SPECIFIED:

DIMENSIONS ARE IN INCHES
 TOLERANCES:
 FRACTIONAL $\pm 1/16"$
 ANGULAR: BEND $\pm 1^\circ$
 TWO PLACE DECIMAL $\pm 0.06"$
 THREE PLACE DECIMAL $\pm 0.030"$

-Gopher Sign Company-
 103 Highway 22 E - Clear Lake, SD 57226

TITLE:
 Frame Detail

DO NOT SCALE DRAWING

PROPRIETARY AND CONFIDENTIAL
 THE INFORMATION CONTAINED IN THIS DRAWING IS THE SOLE PROPERTY OF Gopher Sign Company. ANY REPRODUCTION IN PART OR AS A WHOLE WITHOUT THE WRITTEN PERMISSION OF Gopher Sign Company IS PROHIBITED.

Job# _____
 FINISH: _____

NAME	DATE
DRAWN Jonas R.	9/21/2022
COMMENTS:	

SIZE	DWG. NO.	REV
A	190320	

SCALE: 1:8 WEIGHT: SHEET 3 OF 3

Wednesday, September 21, 2022 10:35:30 AM

1

2

3

4