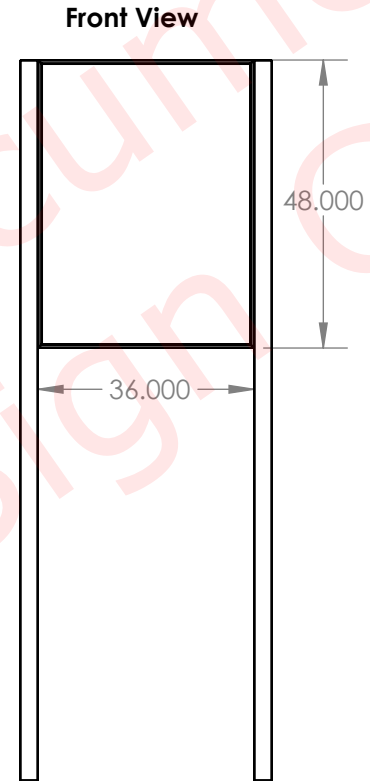
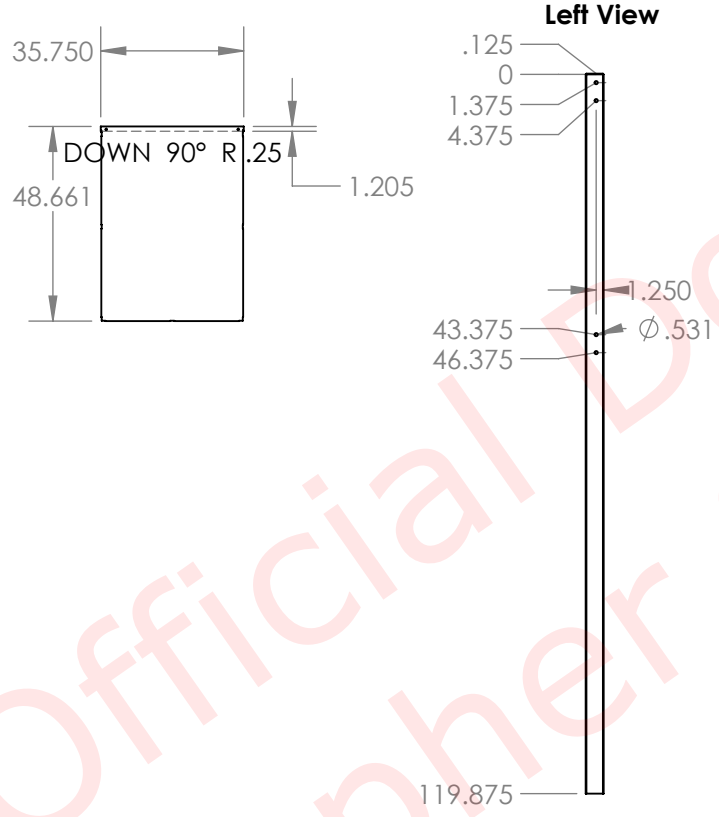
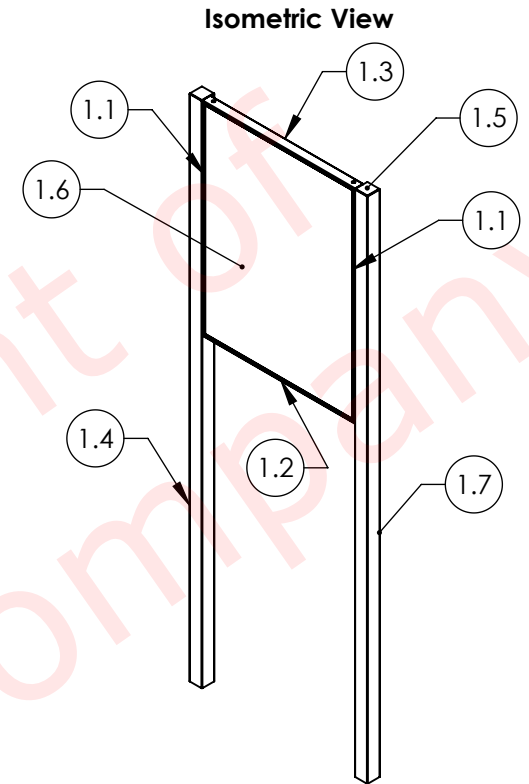


Gopher Sign Co. - Bill of Materials

ITEM NO.	Part Number	DESCRIPTION	QTY.	LENGTH	ANGLE1	ANGLE2	Bounding Box Area (ft2)	Sheet Metal Thickness
1.1	803509	ImageLOC Extrusion 2 x 1.625 x 0.125	2	48	45°	45°	0.00	
1.2	803509	ImageLOC Extrusion 2 x 1.625 x 0.125	1	36	45°	45°	0.00	
1.3	803509	ImageLOC Extrusion 2 x 1.625 x 0.125	1	36	45°	45°	0.00	
1.4	803514	AL 3x3x0.125 Tube	1	119.875	0°	0°	0.00	
1.5	803514	3x3 Endcap 0.125" Thick	2				0.00	
1.6	802900	0.125" Backplate	1				12.08	0.125
1.7	803514	AL 3x3x0.125 Tube	1	119.875	0°	0°	0.00	
1.8	802901	ImageLOC 0.125" Panel	1				11.71	0.125



- Hardware:**
- 203905 -Qty. 8 pcs, 5/16" x 1" blk ox btn hd bolt
 - 203871 -Qty. 8 pcs, 5/16" flat washer
 - 203909 -Qty. 8 pcs, 5/16" lock washer
 - 820418 -Qty. 8 pcs, 5/16" nut inserts (short)
 - 203907 -Qty. 2 pcs 5/16" x 3/4" flat hd lk ox bolt
 - 203880 -Qty. 2 pcs 5/16" aluminum hex nuts

Qty.

UNLESS OTHERWISE SPECIFIED:

DIMENSIONS ARE IN INCHES
 TOLERANCES:
 FRACTIONAL: ± 1/16"
 ANGULAR: BEND ± 1°
 TWO PLACE DECIMAL: ± 0.06"
 THREE PLACE DECIMAL: ± 0.030"

-Gopher Sign Company-
 103 Highway 22 E - Clear Lake, SD 57226

TITLE:

SIZE DWG. NO. REV
A 170340

SCALE: 1:24 WEIGHT: SHEET 1 OF 3

DO NOT SCALE DRAWING

Job#

FINISH:

PROPRIETARY AND CONFIDENTIAL

THE INFORMATION CONTAINED IN THIS DRAWING IS THE SOLE PROPERTY OF Gopher Sign Company. ANY REPRODUCTION IN PART OR AS A WHOLE WITHOUT THE WRITTEN PERMISSION OF Gopher Sign Company IS PROHIBITED.

1

2

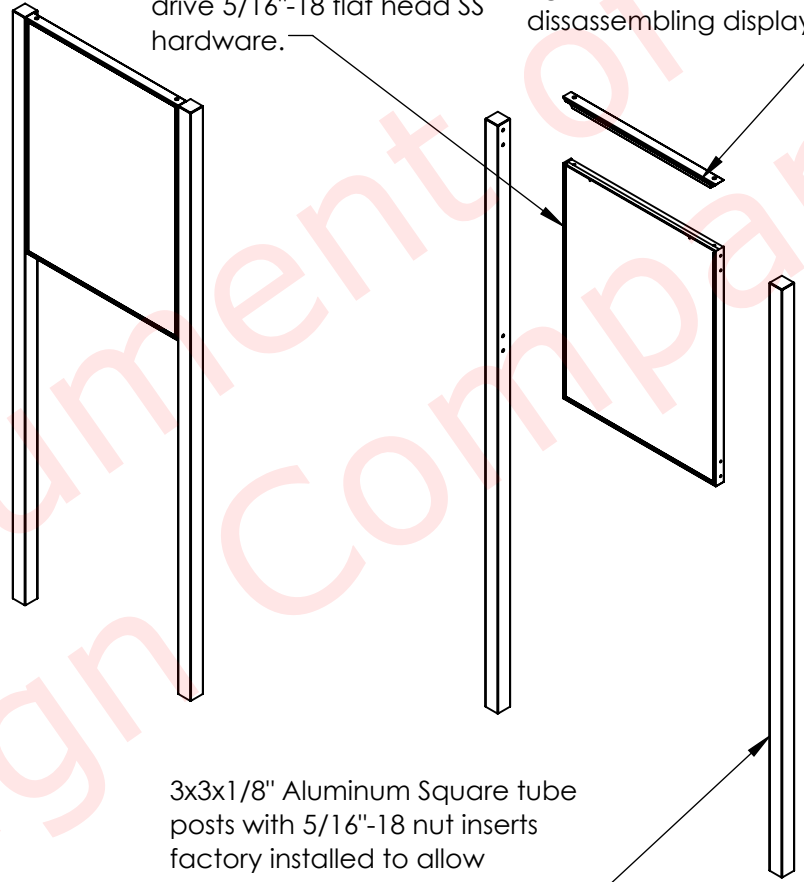
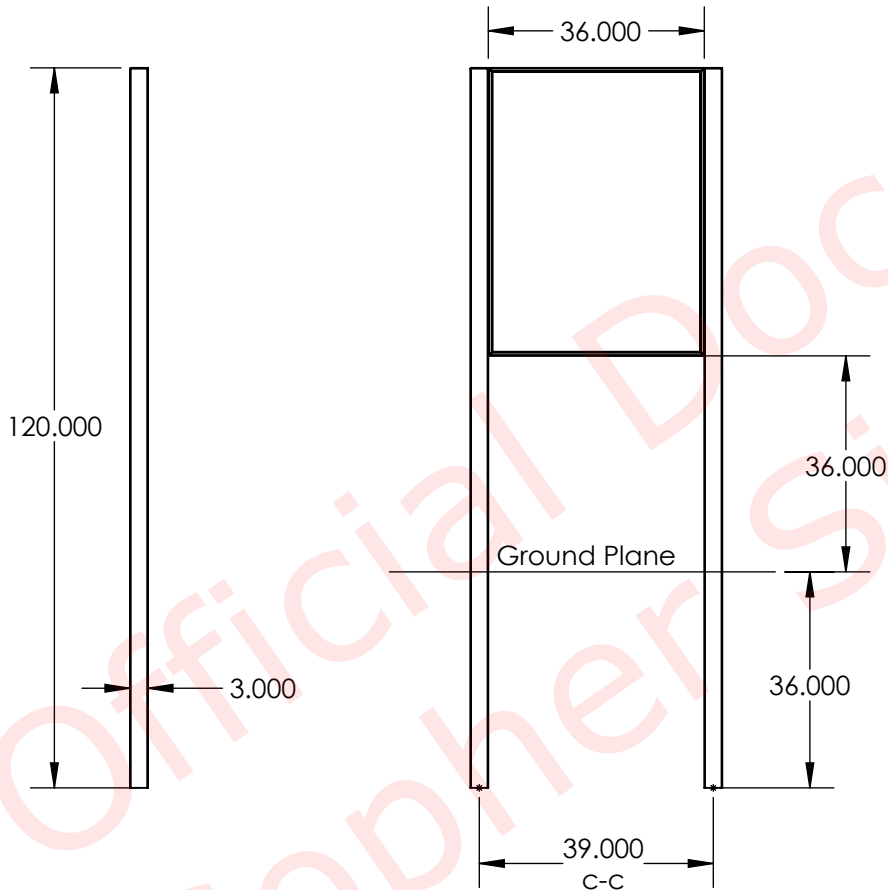
3

4

Sign frame with integral full back plate. Removable top member secured with hex drive 5/16"-18 flat head SS hardware.

Removable top member allows sign to be flipped to show rear "spare" sign", without disassembling display.

3x3x1/8" Aluminum Square tube posts with 5/16"-18 nut inserts factory installed to allow mounting of the sign frame.



Qty. TBD

UNLESS OTHERWISE SPECIFIED:
 DIMENSIONS ARE IN INCHES
 TOLERANCES:
 FRACTIONAL: ± 1/16"
 ANGULAR: BEND ± 1°
 TWO PLACE DECIMAL: ± 0.06"
 THREE PLACE DECIMAL: ± 0.030"

-Gopher Sign Company-
 103 Highway 22 E - Clear Lake, SD 57226

TITLE: Standard Low Profile Cantilever Display

DO NOT SCALE DRAWING

PROPRIETARY AND CONFIDENTIAL
 THE INFORMATION CONTAINED IN THIS DRAWING IS THE SOLE PROPERTY OF Gopher Sign Company. ANY REPRODUCTION IN PART OR AS A WHOLE WITHOUT THE WRITTEN PERMISSION OF Gopher Sign Company IS PROHIBITED.

Job# TBD
 FINISH: Powdercoat

NAME	DATE
DRAWN Jonas R.	3/19/2019
COMMENTS:	

SIZE A	DWG. NO. 170340	REV
---------------	------------------------	-----

Friday, August 12, 2022 10:43:04 AM

SCALE: 1:24 WEIGHT: SHEET 2 OF 3

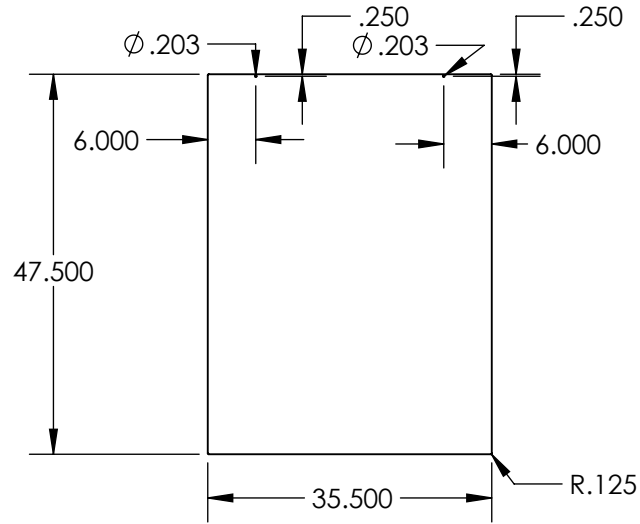
1

2

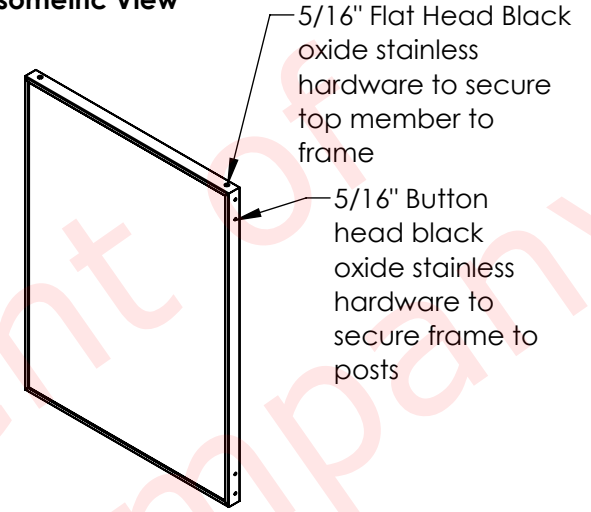
3

4

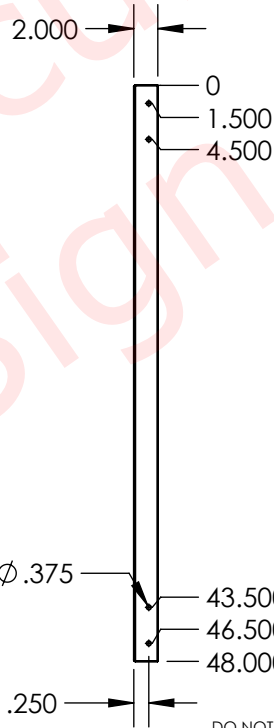
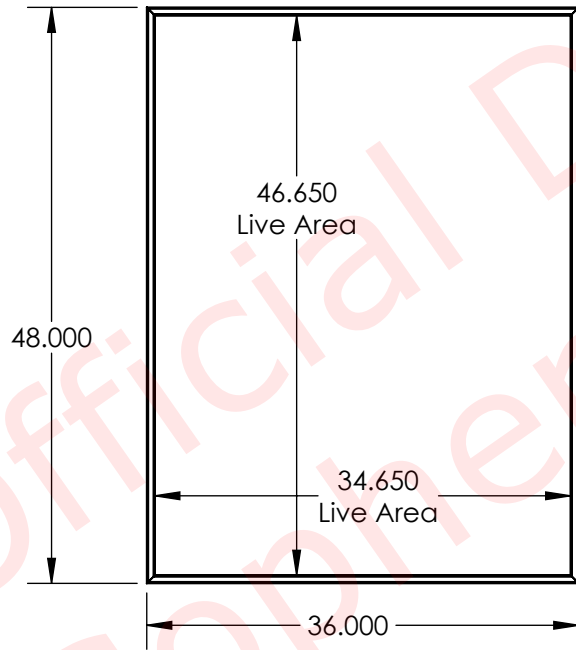
0.125" ImageLOC Panel



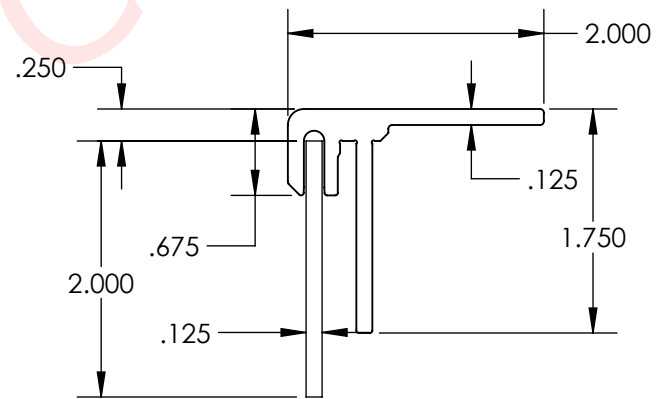
Welded Sign Frame Isometric View



Welded Sign Frame



Welded Frame Extrusion Profile



Qty. TBD

UNLESS OTHERWISE SPECIFIED:
 DIMENSIONS ARE IN INCHES
 TOLERANCES:
 FRACTIONAL $\pm 1/16"$
 ANGULAR: BEND $\pm 1^\circ$
 TWO PLACE DECIMAL $\pm 0.06"$
 THREE PLACE DECIMAL $\pm 0.030"$

-Gopher Sign Company-
 103 Highway 22 E - Clear Lake, SD 57226

TITLE:
 Welded Frame Detail

PROPRIETARY AND CONFIDENTIAL
 THE INFORMATION CONTAINED IN THIS DRAWING IS THE SOLE PROPERTY OF Gopher Sign Company. ANY REPRODUCTION IN PART OR AS A WHOLE WITHOUT THE WRITTEN PERMISSION OF Gopher Sign Company IS PROHIBITED.

Job# TBD
 FINISH:
 Powdercoat

DRAWN: Jonas R. 3/19/2019
 COMMENTS:

SIZE DWG. NO. REV
A 170340