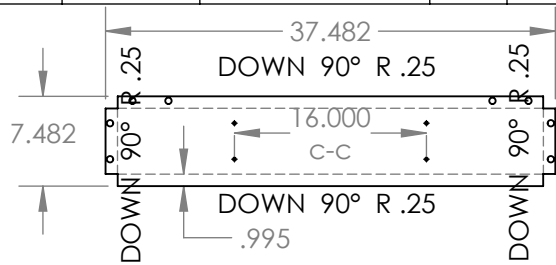
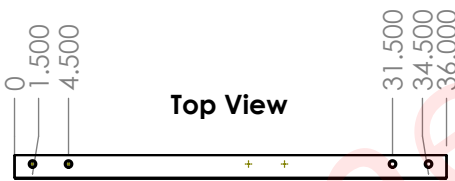


Gopher Sign Co. - Bill of Materials

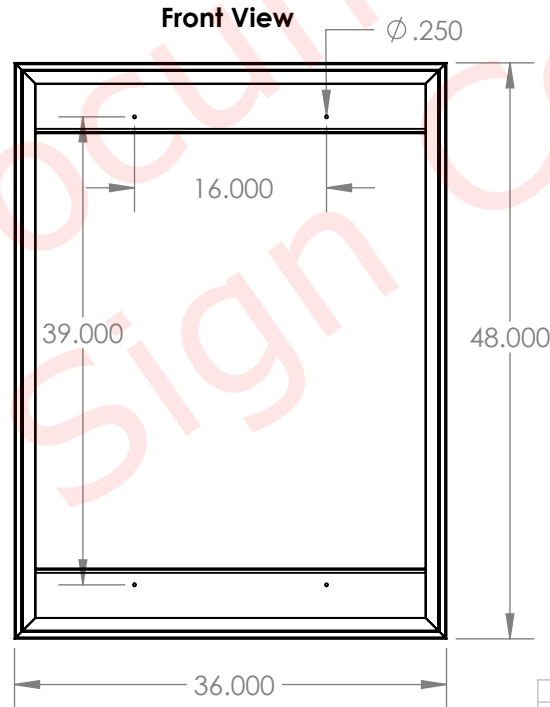
ITEM NO.	Part Number	DESCRIPTION	QTY.	LENGTH	ANGLE1	ANGLE2	Bounding Box Area (ft2)	Sheet Metal Thickness
1.1	803509	Iloc Welded Extrusion 2 x 1.625 x 0.125	2	36	45°	45°	0.00	
1.2	802930	0.125" Formed Wall Bracket	2				1.95	0.125
1.3	803509	Iloc Welded Extrusion 2 x 1.625 x 0.125	2	48	45°	45°	0.00	



Left View

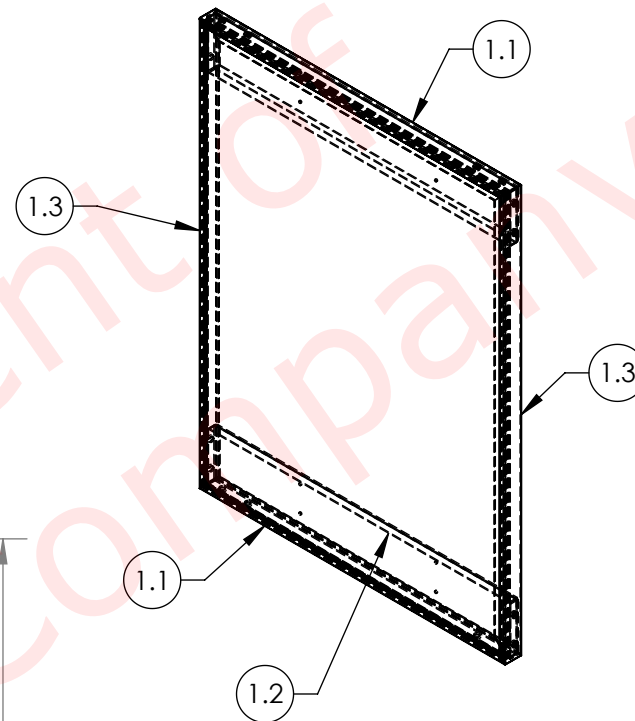


Top View



Front View

Isometric View



Hardware:

- 203911 -Qty. 16 pcs 5/16" x 3/4" black oxide flat head bolts
- 204818 -Qty. 16 pcs 5/16" short nut inserts

Wednesday, September 21, 2022 10:38:35 AM

PROPRIETARY AND CONFIDENTIAL
 THE INFORMATION CONTAINED IN THIS DRAWING IS THE SOLE PROPERTY OF Gopher Sign Company. ANY REPRODUCTION IN PART OR AS A WHOLE WITHOUT THE WRITTEN PERMISSION OF Gopher Sign Company IS PROHIBITED.

DO NOT SCALE DRAWING

Job#
 FINISH:

UNLESS OTHERWISE SPECIFIED:		
DIMENSIONS ARE IN INCHES		
TOLERANCES:		
FRACTIONAL ± 1/16"		
ANGULAR: BEND ±1°		
TWO PLACE DECIMAL ± 0.06"		
THREE PLACE DECIMAL ± 0.030"		
NAME	DATE	
DRAWN Jonas R.	9/21/2022	
COMMENTS:		

-Gopher Sign Company-
 103 Highway 22 E - Clear Lake, SD 57226
TITLE:
 Framed Wall Mount

SIZE DWG. NO. **REV**
A 190340

SCALE: 1:24 WEIGHT: SHEET 1 OF 3

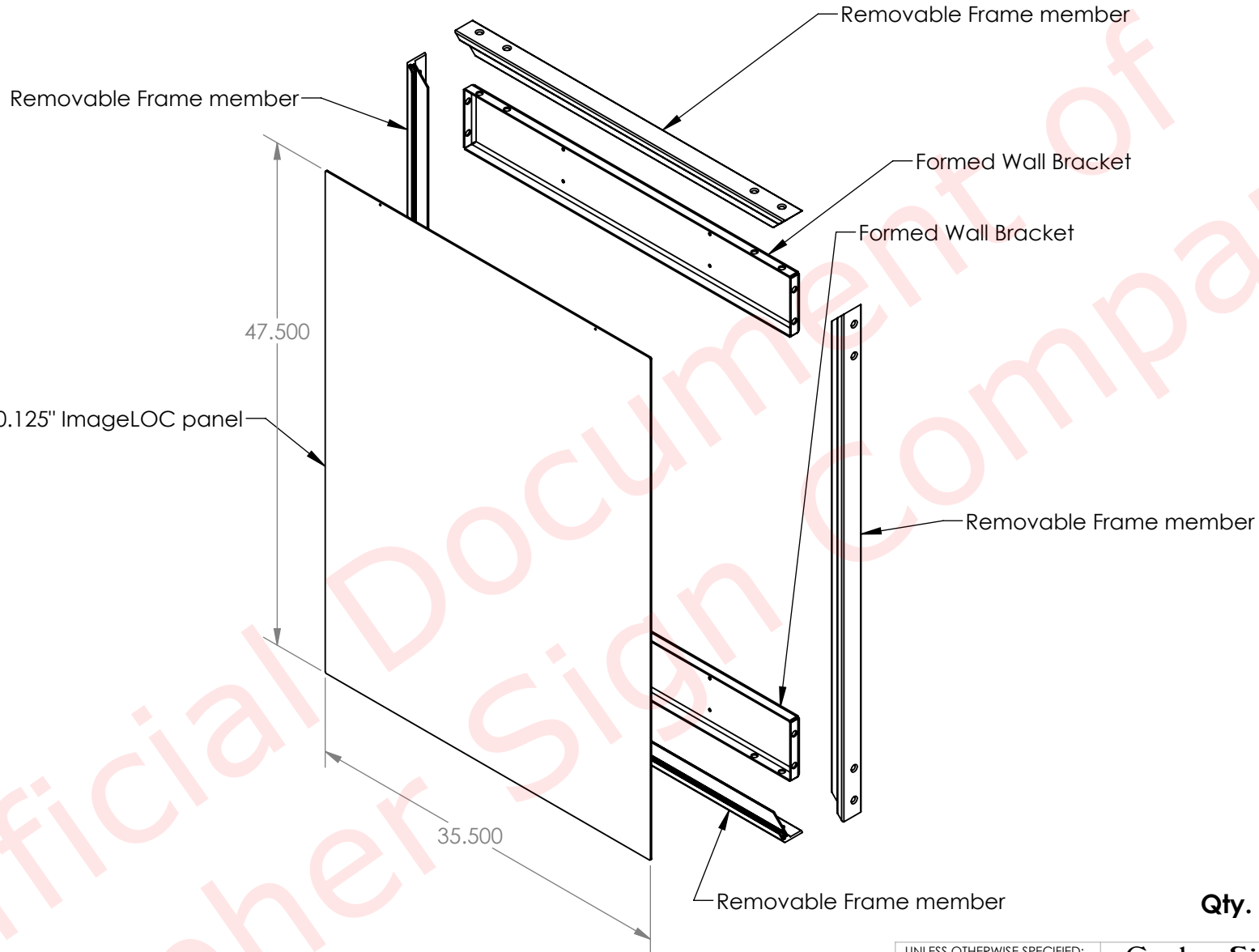
Qty.

1

2

3

4



47.500

35.500

Qty.

UNLESS OTHERWISE SPECIFIED:

DIMENSIONS ARE IN INCHES
 TOLERANCES:
 FRACTIONAL $\pm 1/16"$
 ANGULAR: BEND $\pm 1^\circ$
 TWO PLACE DECIMAL $\pm 0.06"$
 THREE PLACE DECIMAL $\pm 0.030"$

-Gopher Sign Company-
 103 Highway 22 E - Clear Lake, SD 57226

TITLE:
 Exploded View

DO NOT SCALE DRAWING

PROPRIETARY AND CONFIDENTIAL
 THE INFORMATION CONTAINED IN THIS DRAWING IS THE SOLE PROPERTY OF Gopher Sign Company. ANY REPRODUCTION IN PART OR AS A WHOLE WITHOUT THE WRITTEN PERMISSION OF Gopher Sign Company IS PROHIBITED.

Job#

FINISH:

NAME DATE

DRAWN Jonas R. 9/21/2022

COMMENTS:

SIZE DWG. NO.

A 190340

REV

SCALE: 1:8 WEIGHT:

SHEET 2 OF 3

Wednesday, September 21, 2022 10:38:35 AM

1

2

3

4

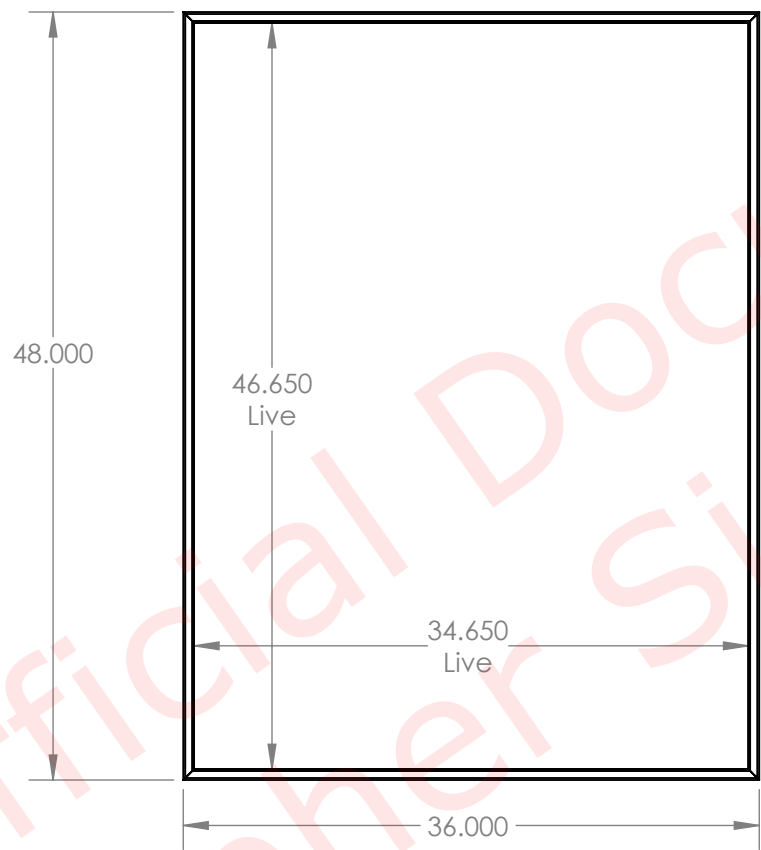
1

2

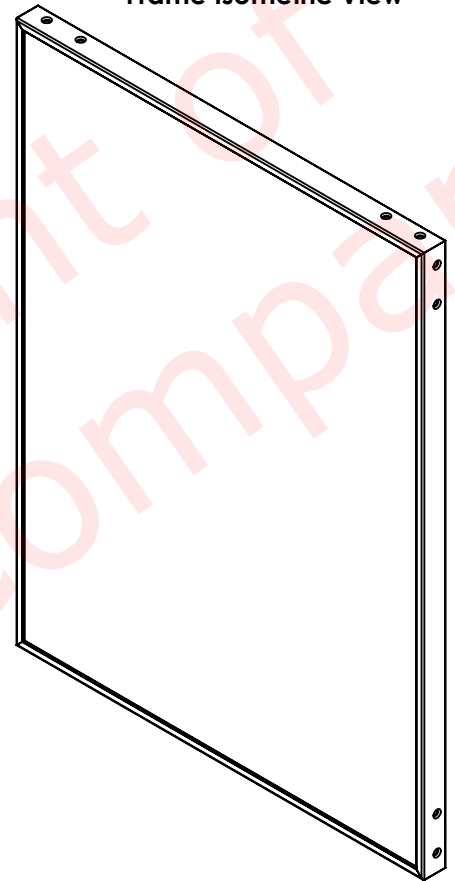
3

4

Frame Front View



Frame Isometric View



Qty.

UNLESS OTHERWISE SPECIFIED:
 DIMENSIONS ARE IN INCHES
 TOLERANCES:
 FRACTIONAL ± 1/16"
 ANGULAR: BEND ±1°
 TWO PLACE DECIMAL ± 0.06"
 THREE PLACE DECIMAL ± 0.030"

-Gopher Sign Company-
 103 Highway 22 E - Clear Lake, SD 57226

TITLE:
 Frame Detail

DO NOT SCALE DRAWING

PROPRIETARY AND CONFIDENTIAL
 THE INFORMATION CONTAINED IN THIS DRAWING IS THE SOLE PROPERTY OF Gopher Sign Company. ANY REPRODUCTION IN PART OR AS A WHOLE WITHOUT THE WRITTEN PERMISSION OF Gopher Sign Company IS PROHIBITED.

Job# _____
 FINISH: _____

DRAWN	NAME	DATE
Jonas R.		9/21/2022
COMMENTS:		

SIZE	DWG. NO.	REV
A	190340	

Wednesday, September 21, 2022 10:38:35 AM

SCALE: 1:8 WEIGHT: SHEET 3 OF 3

1

2

3

4