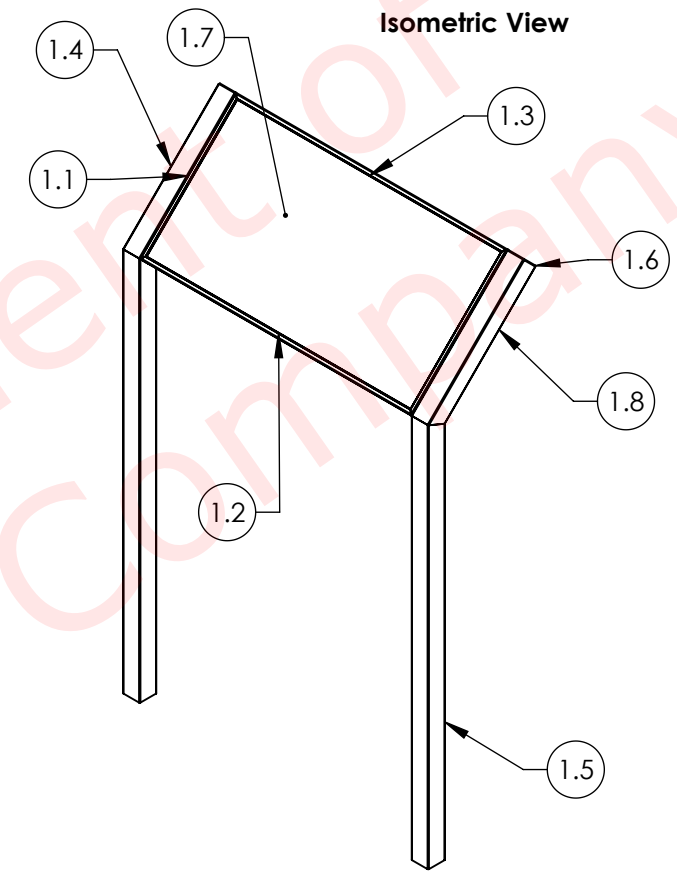
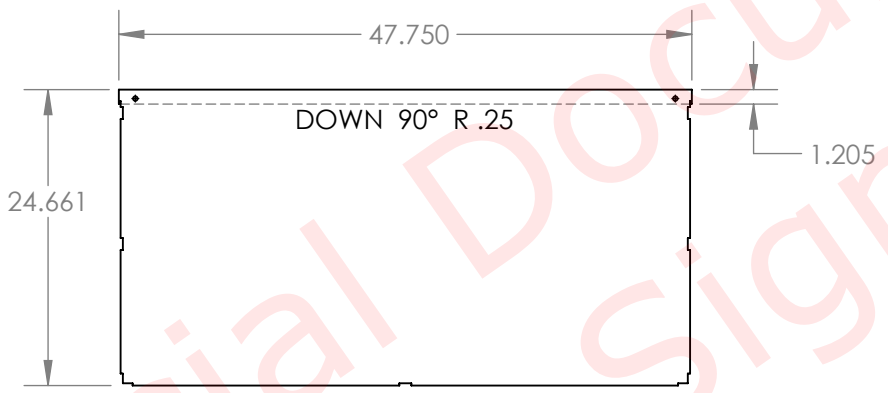


Gopher Sign Co. - Bill of Materials

ITEM NO.	Part Number	DESCRIPTION	QTY.	LENGTH	ANGLE1	ANGLE2	Bounding Box Area (ft2)	Sheet Metal Thickness
1.1	803509	ImageLOC Extrusion 2 x 1.625 x 0.125	2	24	45°	45°	0.00	
1.2	803509	ImageLOC Extrusion 2 x 1.625 x 0.125	1	48	45°	45°	0.00	
1.3	803509	ImageLOC Extrusion 2 x 1.625 x 0.125	1	48	45°	45°	0.00	
1.4	803514	AL 3x3x0.125 Tube	1	23.875	22.5°	0°	0.00	
1.5	803514	AL 3x3x0.125 Tube	2	68	0°	22.5°	0.00	
1.6	802900	3x3 Endcap 0.125" Thick	2				0.00	
1.7	802900	0.125" Backplate	1				8.18	0.125
1.8	803514	AL 3x3x0.125 Tube	1	23.875	22.5°	0°	0.00	
1.9		0.125" ImageLOC Panel	1				7.75	0.125



Hardware:

- 203905 -Qty. 8 pcs, 5/16" x 1" Black oxide button head bolt
- 203871 -Qty. 8 pcs, 5/16" flat washer
- 203909 -Qty. 8 pcs, 5/16" lock washer
- 820418 -Qty. 8 pcs, 5/16" nut inserts (short)
- 203911 -Qty. 2 pcs 5/16" x 3/4" flat head Black Oxide bolt
- 203880 -Qty. 2 pcs 5/16" aluminum hex nuts

Friday, August 12, 2022 8:24:12 AM

PROPRIETARY AND CONFIDENTIAL
 THE INFORMATION CONTAINED IN THIS DRAWING IS THE SOLE PROPERTY OF Gopher Sign Company. ANY REPRODUCTION IN PART OR AS A WHOLE WITHOUT THE WRITTEN PERMISSION OF Gopher Sign Company IS PROHIBITED.

DO NOT SCALE DRAWING

Job#
 FINISH:

UNLESS OTHERWISE SPECIFIED:
 DIMENSIONS ARE IN INCHES
 TOLERANCES:
 FRACTIONAL ± 1/16"
 ANGULAR: BEND ± 1°
 TWO PLACE DECIMAL ± 0.06"
 THREE PLACE DECIMAL ± 0.030"

NAME	DATE
DRAWN Jonas R.	2/9/2019

COMMENTS:

Qty.	
-Gopher Sign Company- 103 Highway 22 E - Clear Lake, SD 57226	
TITLE:	
SIZE A	DWG. NO. 160420
SCALE: 1:24	WEIGHT: SHEET 1 OF 3

1

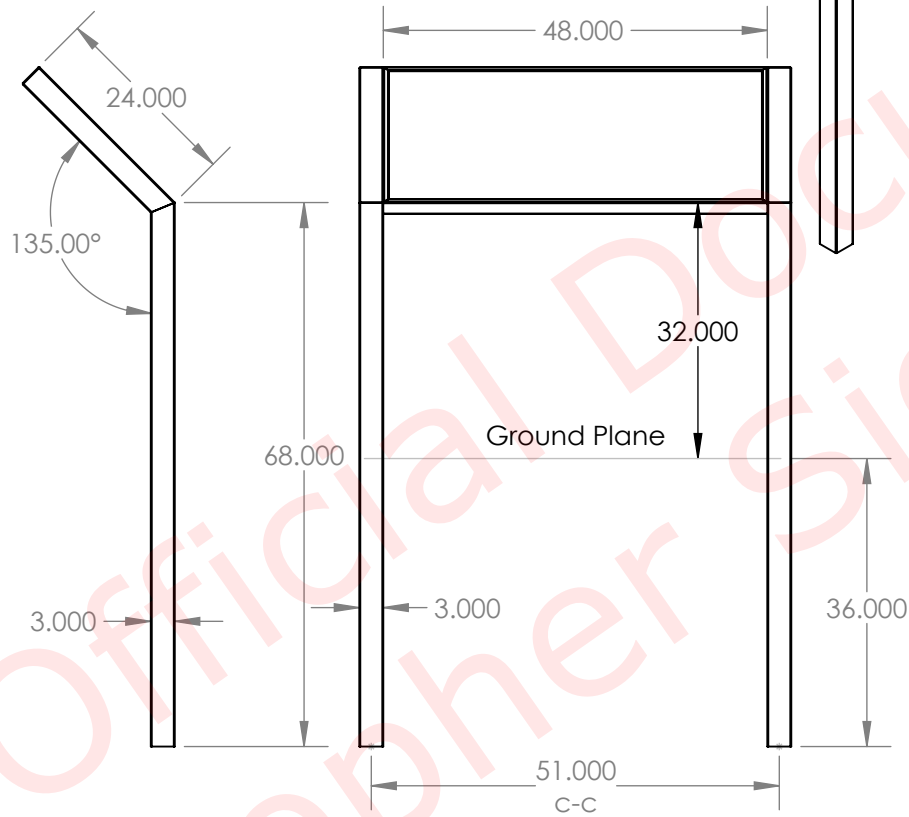
2

3

4

Sign frame with integral full back plate. Removable top member secured with hex drive 5/16"-18 flat head SS hardware.

Removable top member allows sign to be flipped to show rear "spare" sign", without disassembling display.



3x3x1/8" Aluminum Square tube posts with 5/16"-18 nut inserts factory installed to allow mounting of the sign frame.

Qty.TBD

UNLESS OTHERWISE SPECIFIED:		-Gopher Sign Company-	
DIMENSIONS ARE IN INCHES		103 Highway 22 E - Clear Lake, SD 57226	
TOLERANCES:		TITLE: Standard Low Profile	
FRACTIONAL: ± 1/16"		Cantilever Display	
ANGULAR: BEND ± 1°		SIZE	REV
TWO PLACE DECIMAL: ± 0.06"		A	DWG. NO. 160420
THREE PLACE DECIMAL: ± 0.030"		SCALE: 1:24	WEIGHT:
DO NOT SCALE DRAWING		SHEET 2 OF 3	
Job#	TBD		
FINISH:	Powdercoat		
DRAWN	Jonas R.		
DATE	2/9/2019		
COMMENTS:			

PROPRIETARY AND CONFIDENTIAL
THE INFORMATION CONTAINED IN THIS DRAWING IS THE SOLE PROPERTY OF Gopher Sign Company. ANY REPRODUCTION IN PART OR AS A WHOLE WITHOUT THE WRITTEN PERMISSION OF Gopher Sign Company IS PROHIBITED.

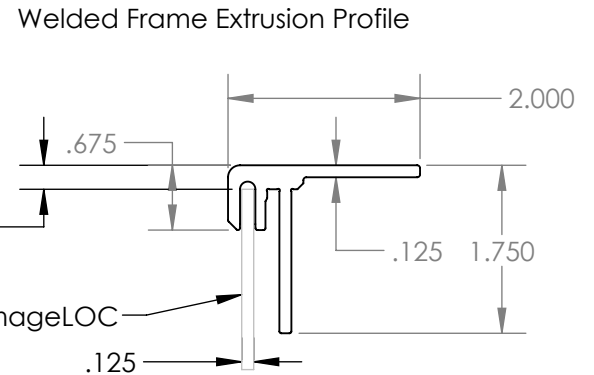
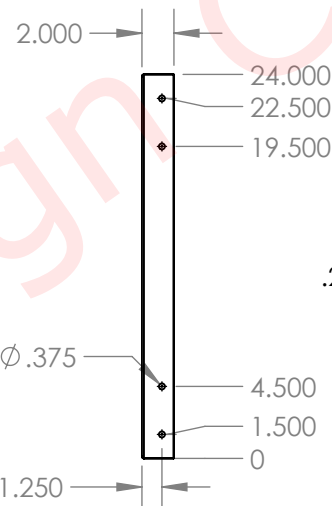
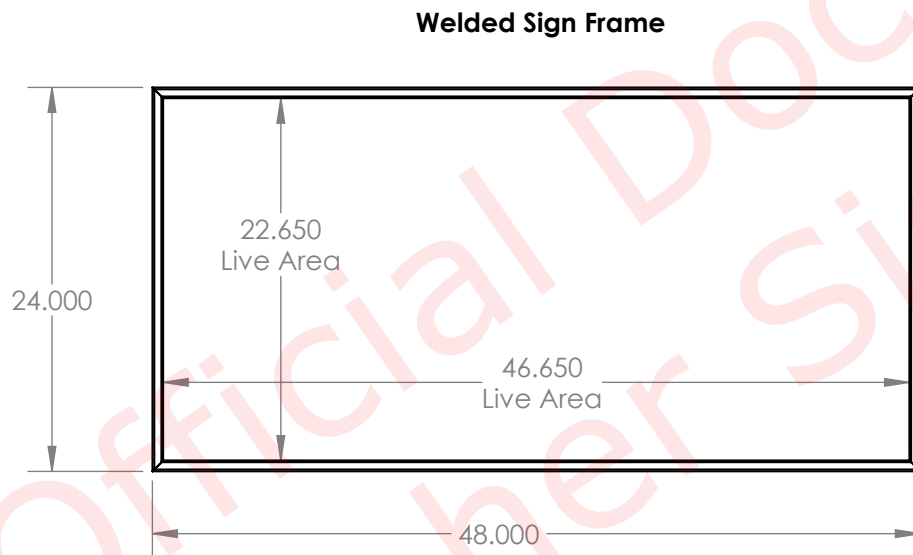
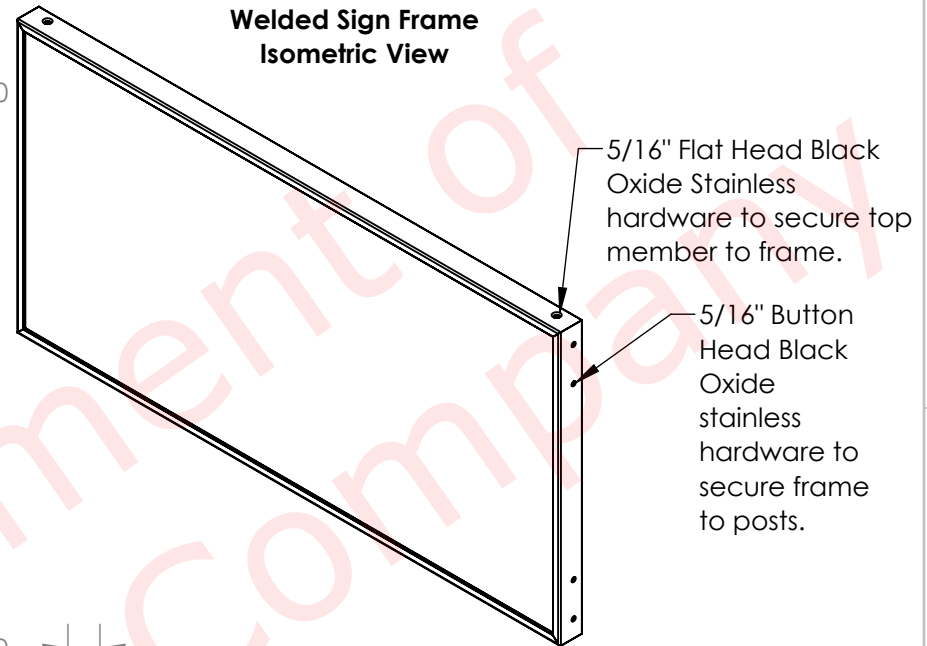
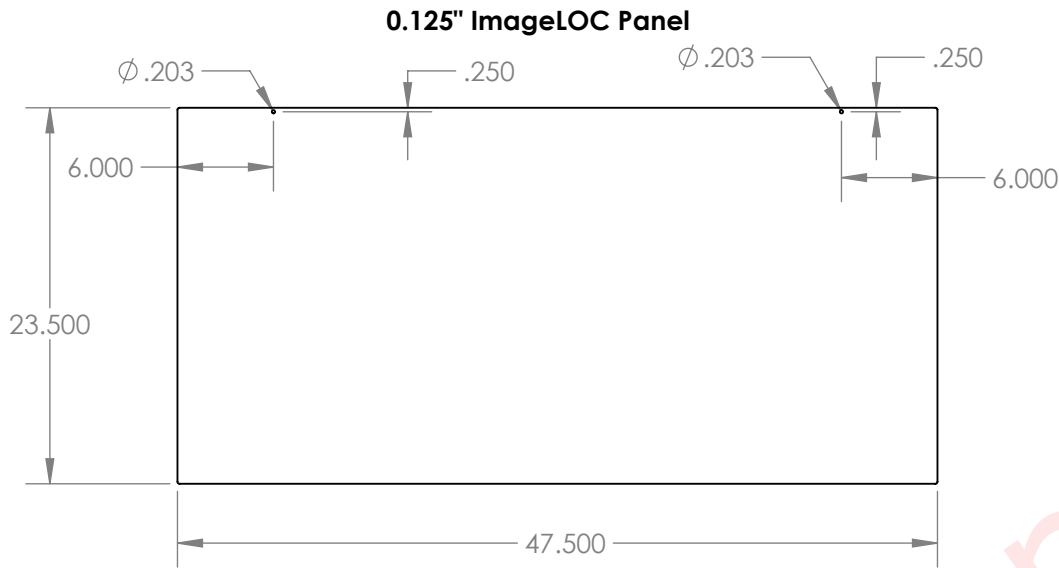
Friday, August 12, 2022 8:24:12 AM

1

2

3

4



Qty. TBD

UNLESS OTHERWISE SPECIFIED:

DIMENSIONS ARE IN INCHES
 TOLERANCES:
 FRACTIONAL: ± 1/16"
 ANGULAR: BEND ± 1°
 TWO PLACE DECIMAL: ± 0.06"
 THREE PLACE DECIMAL: ± 0.030"

-Gopher Sign Company-
 103 Highway 22 E - Clear Lake, SD 57226

TITLE:
Welded Frame Detail

DO NOT SCALE DRAWING

Job# TBD

NAME	DATE
DRAWN Jonas R.	2/9/2019
COMMENTS:	

FINISH:
 Powdercoat

SIZE	DWG. NO.	REV
A	160420	

Friday, August 12, 2022 8:24:12 AM

PROPRIETARY AND CONFIDENTIAL
 THE INFORMATION CONTAINED IN THIS DRAWING IS THE SOLE PROPERTY OF Gopher Sign Company. ANY REPRODUCTION IN PART OR AS A WHOLE WITHOUT THE WRITTEN PERMISSION OF Gopher Sign Company IS PROHIBITED.

SCALE: 1:24 WEIGHT: SHEET 3 OF 3