

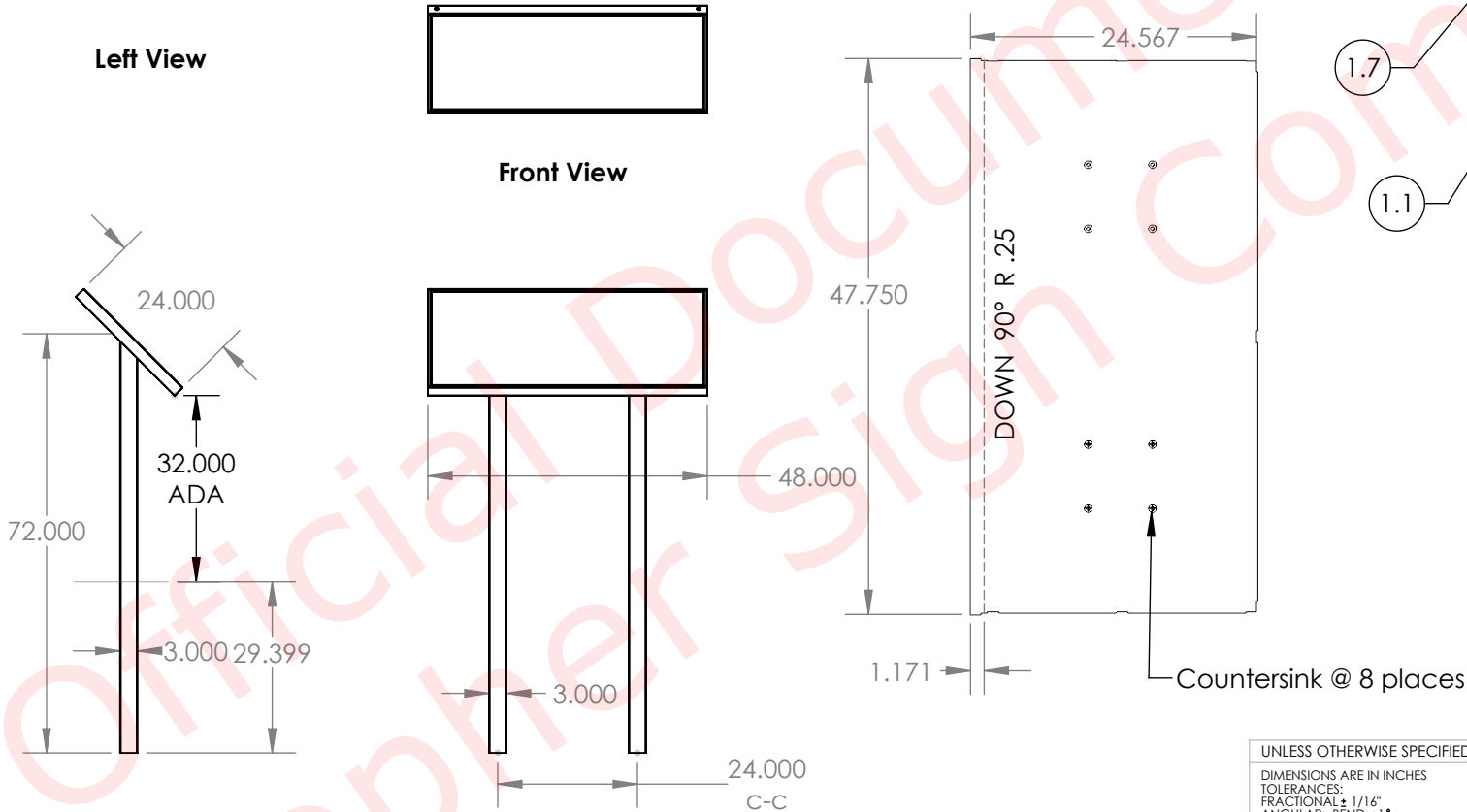
# Gopher Sign Co. - Bill of Materials

ITEM NO.	Part Number	DESCRIPTION	QTY.	LENGTH	ANGLE1	ANGLE2	Bounding Box Area (ft2)	Sheet Metal Thickness
1.1	803514	AL 3x3x0.125 Tube	2	72	45°	0°	0.00	
1.2	706400	7x7x0.25 PED Plate	2				0.34	0.25
1.3	803509	ILoc Welded Extrusion 2 x 1.625 x 0.125	2	24	45°	45°	0.00	
1.4	803509	ILoc Welded Extrusion 2 x 1.625 x 0.125	1	48	45°	45°	0.00	
1.5	802902	0.190 Formed Mounting Plate	1				8.15	0.19
1.6	802901	ImageLOC Panel	1				7.75	0.125
1.7	803509	ILoc Welded Extrusion 2 x 1.625 x 0.125	1	48	45°	45°	0.00	

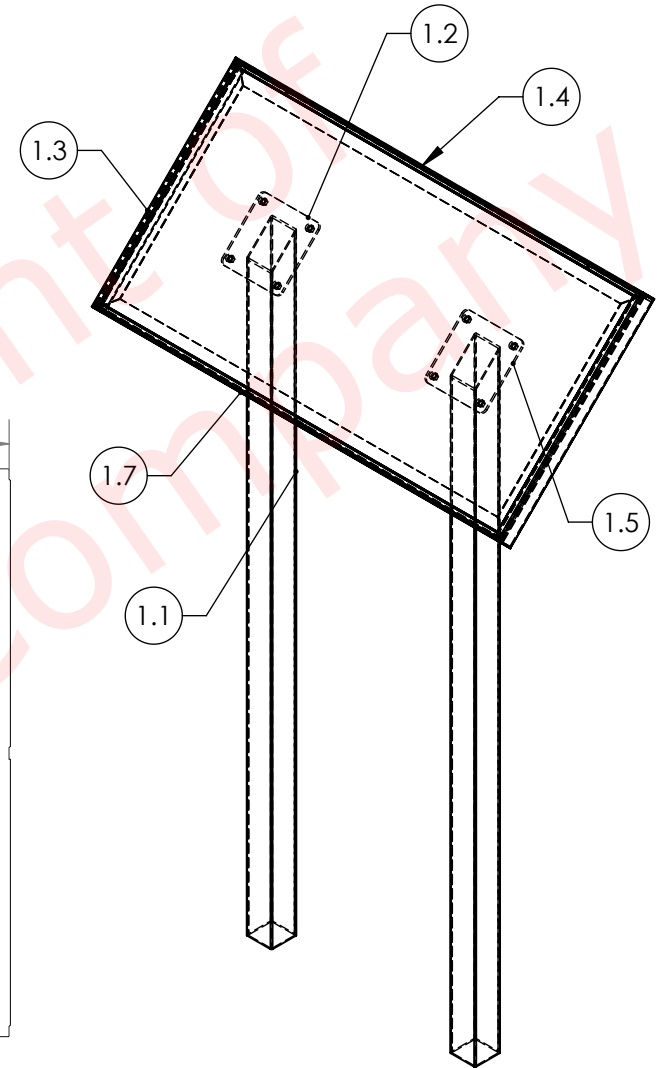
Top View

Left View

Front View



Isometric View



Qty.

**Hardware:**

- 203911 -Qty. 10 pcs 5/16" x 3/4" black oxide flat head bolts
- 203880 -Qty. 2 pcs 5/16" aluminum hex nuts
- 803830 -Qty. 8 pcs 5/16" serrated flange nut

Monday, August 15, 2022 7:36:59 AM

**PROPRIETARY AND CONFIDENTIAL**  
THE INFORMATION CONTAINED IN THIS DRAWING IS THE SOLE PROPERTY OF Gopher Sign Company. ANY REPRODUCTION IN PART OR AS A WHOLE WITHOUT THE WRITTEN PERMISSION OF Gopher Sign Company IS PROHIBITED.

DO NOT SCALE DRAWING

Job#  
FINISH:

UNLESS OTHERWISE SPECIFIED:  
DIMENSIONS ARE IN INCHES  
TOLERANCES:  
FRACTIONAL ± 1/16"  
ANGULAR: BEND ± 1°  
TWO PLACE DECIMAL ± 0.06"  
THREE PLACE DECIMAL ± 0.030"

NAME	DATE
DRAWN   Jonas R.	3/10/2020
COMMENTS:	

**-Gopher Sign Company-**  
103 Highway 22 E - Clear Lake, SD 57226

TITLE: Pedestal, Welded Frame,  
Direct Embed

SIZE	DWG. NO.	REV
<b>A</b>	<b>183420</b>	

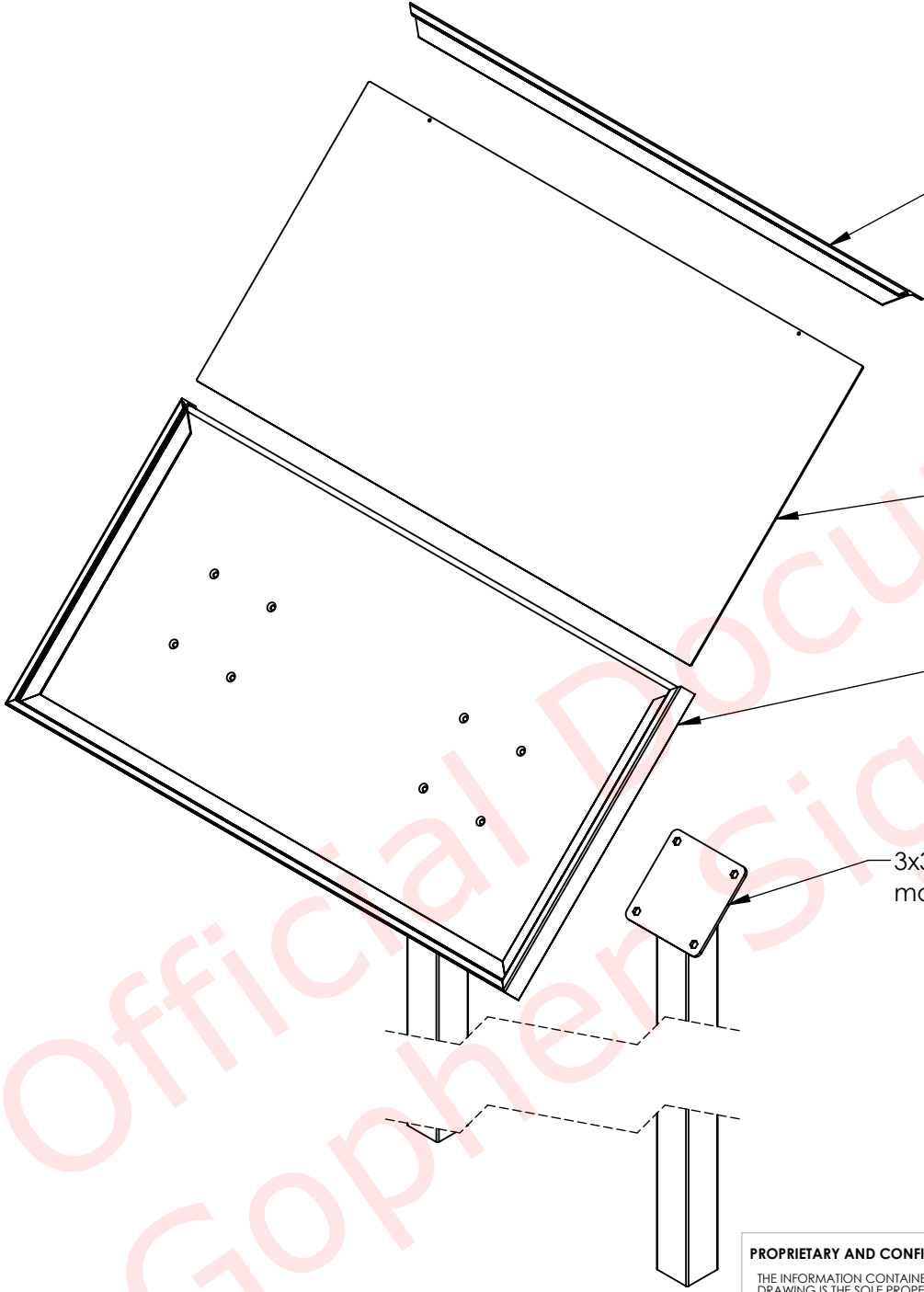
SCALE: 1:24 WEIGHT: SHEET 1 OF 3

1

2

3

4



Removable top member, retained with two tamper resistant hex drive flat head screws. (pin-in-hex increased security bolts available).

0.125" ImageLOC panel

Welded Aluminum Extrusion Frame, accepts 1/8" thick panel. Secured to post with tamper proof design after sign is installed.

3x3x1/8" Aluminum Post with 7x7x1/4" match plate. Powder coated finish.

Qty.

UNLESS OTHERWISE SPECIFIED:  
 DIMENSIONS ARE IN INCHES  
 TOLERANCES:  
 FRACTIONAL: ± 1/16"  
 ANGULAR: BEND ± 1°  
 TWO PLACE DECIMAL: ± 0.06"  
 THREE PLACE DECIMAL: ± 0.030"

**-Gopher Sign Company-**  
 103 Highway 22 E - Clear Lake, SD 57226

TITLE:

DO NOT SCALE DRAWING

Job# \_\_\_\_\_  
 FINISH: \_\_\_\_\_

NAME	DATE
DRAWN: Jonas R.	3/10/2020
COMMENTS:	

SIZE	DWG. NO.	REV
<b>A</b>	<b>183420</b>	

**PROPRIETARY AND CONFIDENTIAL**  
 THE INFORMATION CONTAINED IN THIS DRAWING IS THE SOLE PROPERTY OF Gopher Sign Company. ANY REPRODUCTION IN PART OR AS A WHOLE WITHOUT THE WRITTEN PERMISSION OF Gopher Sign Company IS PROHIBITED.

Monday, August 15, 2022 7:36:59 AM

SCALE: 1:24 WEIGHT: SHEET 2 OF 3

1

2

3

4

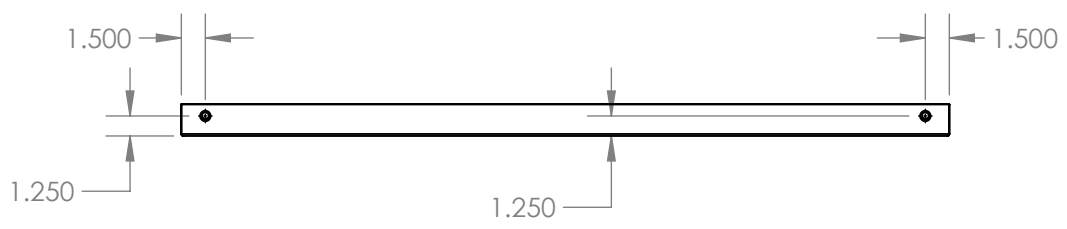
1

2

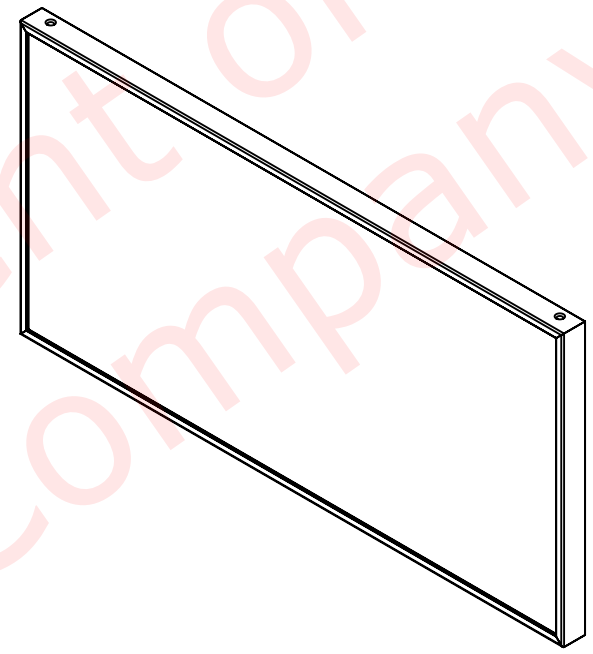
3

4

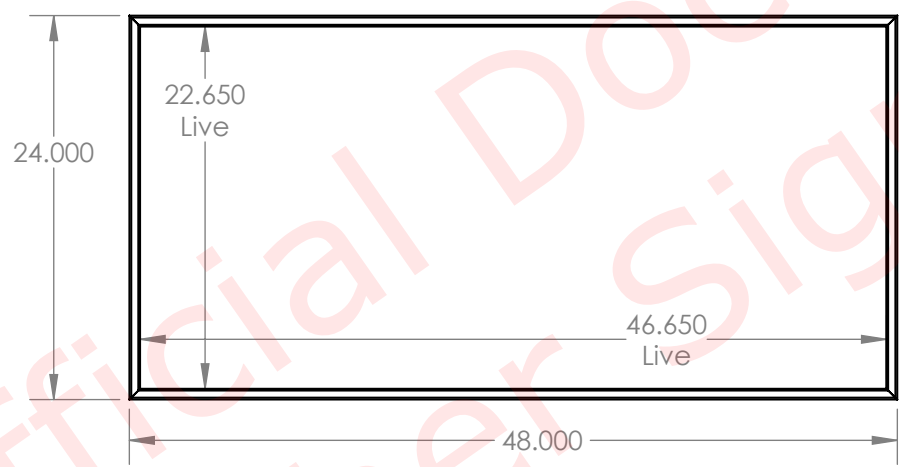
Frame Top View



Frame Isometric View



Frame Front View



Qty.

UNLESS OTHERWISE SPECIFIED:  
 DIMENSIONS ARE IN INCHES  
 TOLERANCES:  
 FRACTIONAL ± 1/16"  
 ANGULAR: BEND ± 1°  
 TWO PLACE DECIMAL ± 0.06"  
 THREE PLACE DECIMAL ± 0.030"

**-Gopher Sign Company-**  
 103 Highway 22 E - Clear Lake, SD 57226

TITLE:  
 Frame Detail

DO NOT SCALE DRAWING

**PROPRIETARY AND CONFIDENTIAL**  
 THE INFORMATION CONTAINED IN THIS DRAWING IS THE SOLE PROPERTY OF Gopher Sign Company. ANY REPRODUCTION IN PART OR AS A WHOLE WITHOUT THE WRITTEN PERMISSION OF Gopher Sign Company IS PROHIBITED.

Job# \_\_\_\_\_  
 FINISH: \_\_\_\_\_

NAME	DATE
DRAWN Jonas R.	3/10/2020
COMMENTS:	

SIZE	DWG. NO.	REV
<b>A</b>	<b>183420</b>	

Monday, August 15, 2022 7:36:59 AM

SCALE: 1:24 WEIGHT: SHEET 3 OF 3

1

2

3

4