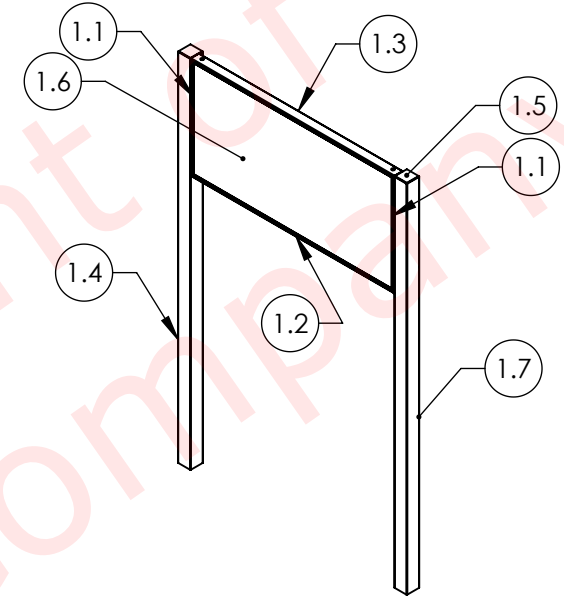


# Gopher Sign Co. - Bill of Materials

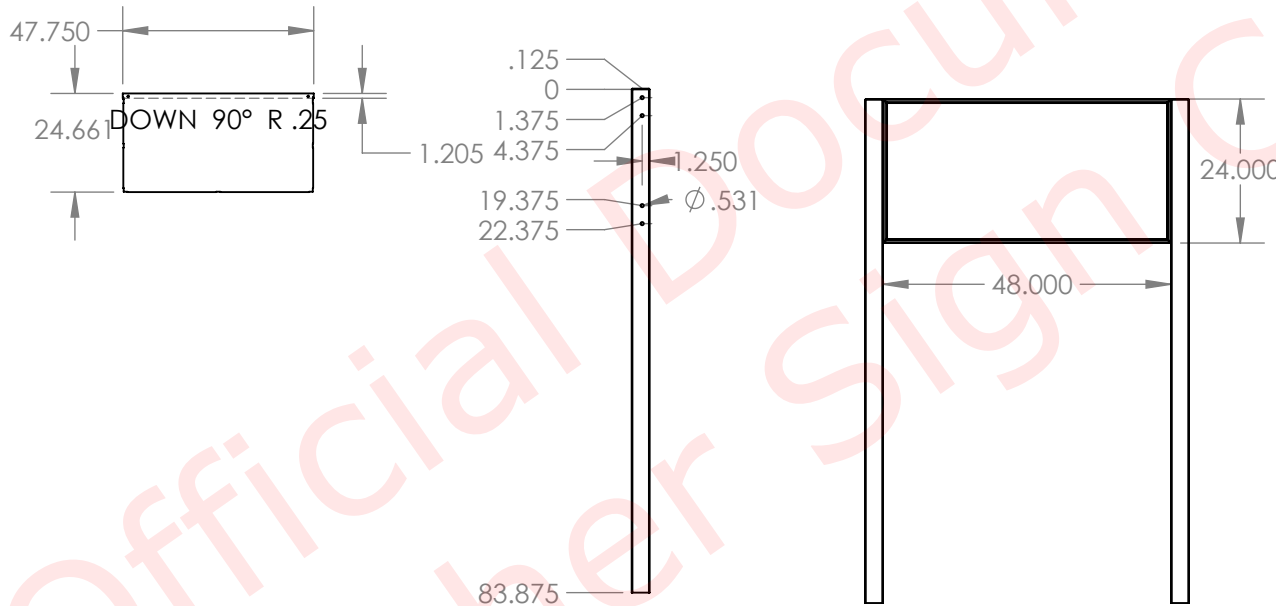
ITEM NO.	Part Number	DESCRIPTION	QTY.	LENGTH	ANGLE1	ANGLE2	Bounding Box Area (ft2)	Sheet Metal Thickness
1.1	803509	ImageLOC Extrusion 2 x 1.625 x 0.125	2	24	45°	45°	0.00	
1.2	803509	ImageLOC Extrusion 2 x 1.625 x 0.125	1	48	45°	45°	0.00	
1.3	803509	ImageLOC Extrusion 2 x 1.625 x 0.125	1	48	45°	45°	0.00	
1.4	803514	AL 3x3x0.125 Tube	1	83.875	0°	0°	0.00	
1.5	803514	3x3 Endcap 0.125" Thick	2				0.00	
1.6	802900	0.125" Backplate	1				8.18	0.125
1.7	803514	AL 3x3x0.125 Tube	1	83.875	0°	0°	0.00	
1.8	802901	ImageLOC 0.125" Panel	1				7.75	0.125

Isometric View



Left View

Front View



**Hardware:**

- 203905 -Qty. 8 pcs, 5/16" x 1" blk ox btn hd bolt
- 203871 -Qty. 8 pcs, 5/16" flat washer
- 203909 -Qty. 8 pcs, 5/16" lock washer
- 820418 -Qty. 8 pcs, 5/16" nut inserts (short)
- 203907 -Qty. 2 pcs 5/16" x 3/4" flat hd lk ox bolt
- 203880 -Qty. 2 pcs 5/16" aluminum hex nuts

Qty.

UNLESS OTHERWISE SPECIFIED:

DIMENSIONS ARE IN INCHES  
 TOLERANCES:  
 FRACTIONAL: ± 1/16"  
 ANGULAR: BEND ± 1°  
 TWO PLACE DECIMAL: ± 0.06"  
 THREE PLACE DECIMAL: ± 0.030"

**-Gopher Sign Company-**  
 103 Highway 22 E - Clear Lake, SD 57226

TITLE:

DO NOT SCALE DRAWING

PROPRIETARY AND CONFIDENTIAL

THE INFORMATION CONTAINED IN THIS DRAWING IS THE SOLE PROPERTY OF Gopher Sign Company. ANY REPRODUCTION IN PART OR AS A WHOLE WITHOUT THE WRITTEN PERMISSION OF Gopher Sign Company IS PROHIBITED.

Job#

FINISH:

NAME	DATE
DRAWN Jonas R.	3/19/2019
COMMENTS:	

SIZE	DWG. NO.	REV
<b>A</b>	<b>170420</b>	

SCALE: 1:24 WEIGHT: SHEET 1 OF 3

1

2

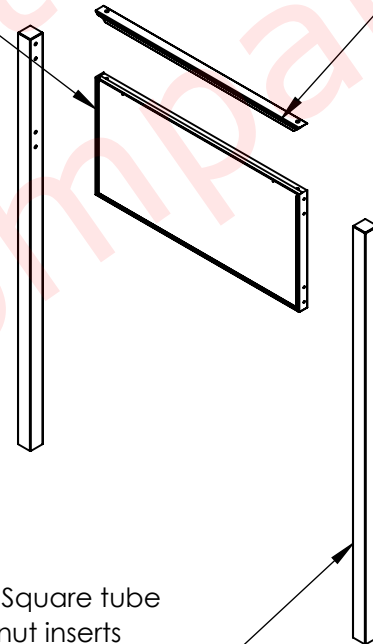
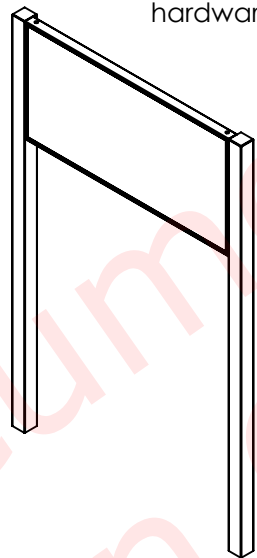
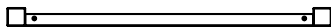
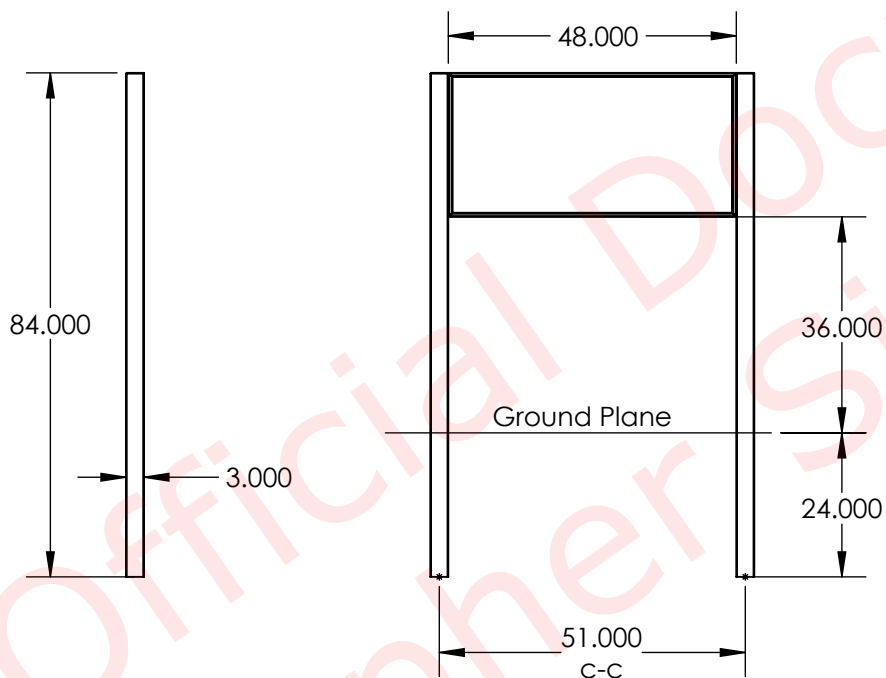
3

4

Sign frame with integral full back plate. Removable top member secured with hex drive 5/16"-18 flat head SS hardware.

Removable top member allows sign to be flipped to show rear "spare" sign", without disassembling display.

3x3x1/8" Aluminum Square tube posts with 5/16"-18 nut inserts factory installed to allow mounting of the sign frame.



Qty. TBD

UNLESS OTHERWISE SPECIFIED:

DIMENSIONS ARE IN INCHES  
TOLERANCES:  
FRACTIONAL: ± 1/16"  
ANGULAR: BEND ± 1°  
TWO PLACE DECIMAL: ± 0.06"  
THREE PLACE DECIMAL: ± 0.030"

**-Gopher Sign Company-**  
103 Highway 22 E - Clear Lake, SD 57226

TITLE: Standard Low Profile  
Cantilever Display

DO NOT SCALE DRAWING

Job# TBD

NAME	DATE
DRAWN: Jonas R.	3/19/2019

SIZE	DWG. NO.	REV
<b>A</b>	170420	

FINISH:  
Powdercoat

**PROPRIETARY AND CONFIDENTIAL**  
THE INFORMATION CONTAINED IN THIS DRAWING IS THE SOLE PROPERTY OF Gopher Sign Company. ANY REPRODUCTION IN PART OR AS A WHOLE WITHOUT THE WRITTEN PERMISSION OF Gopher Sign Company IS PROHIBITED.

SCALE: 1:24 WEIGHT: SHEET 2 OF 3

Friday, August 12, 2022 10:05:19 AM

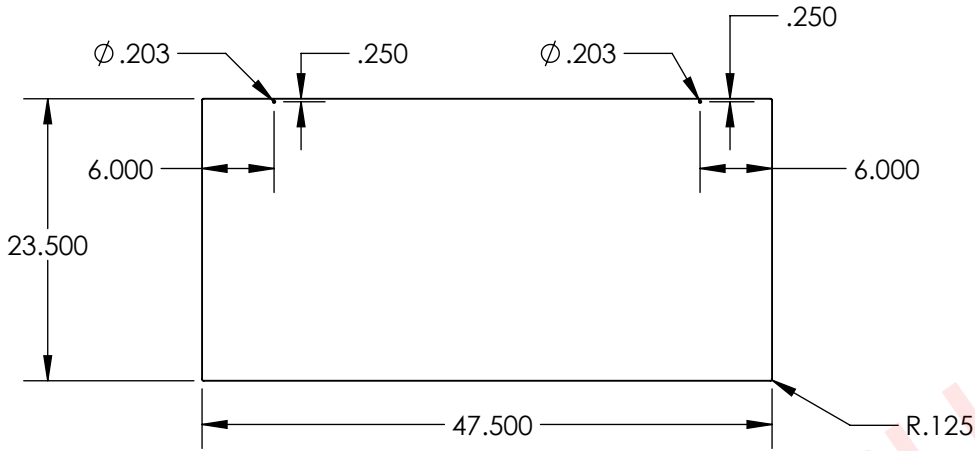
1

2

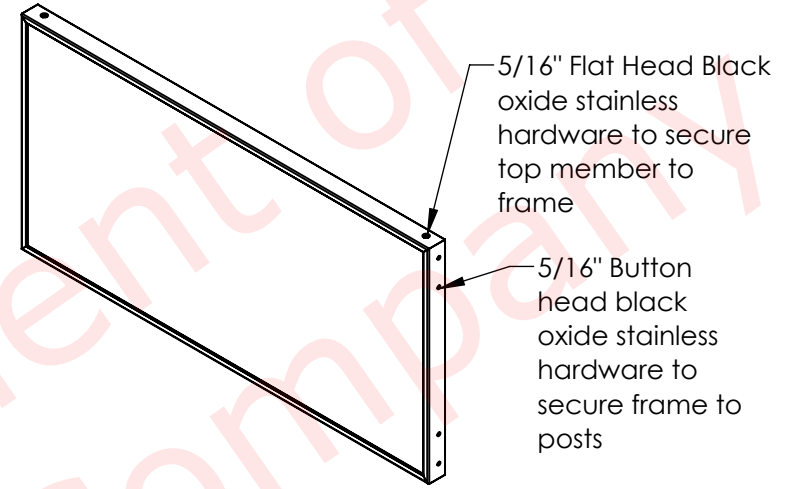
3

4

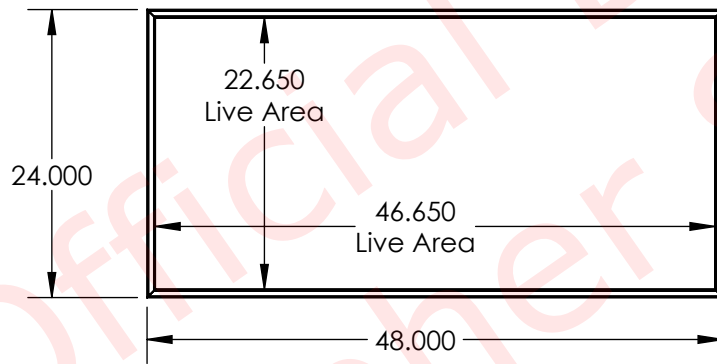
0.125" ImageLOC Panel



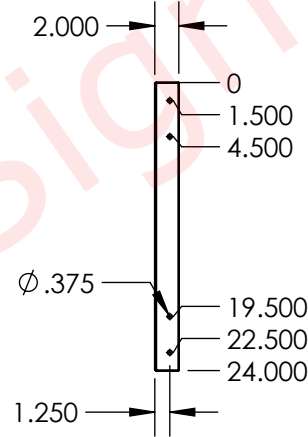
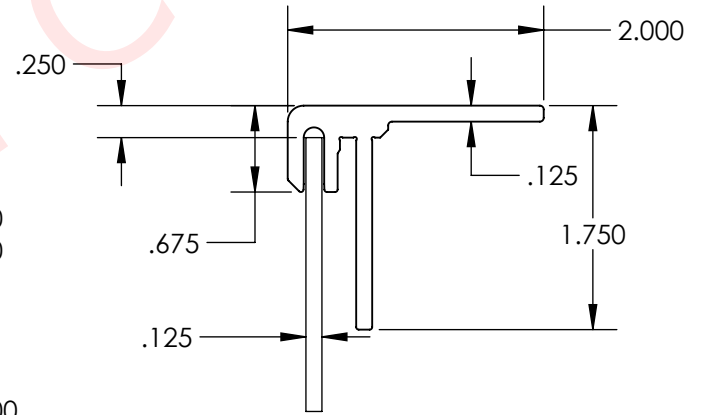
Welded Sign Frame  
Isometric View



Welded Sign Frame



Welded Frame Extrusion Profile



Qty. TBD

UNLESS OTHERWISE SPECIFIED:

DIMENSIONS ARE IN INCHES  
 TOLERANCES:  
 FRACTIONAL  $\pm 1/16"$   
 ANGULAR: BEND  $\pm 1^\circ$   
 TWO PLACE DECIMAL  $\pm 0.06"$   
 THREE PLACE DECIMAL  $\pm 0.030"$

**-Gopher Sign Company-**  
 103 Highway 22 E - Clear Lake, SD 57226

TITLE:  
 Welded Frame Detail

DO NOT SCALE DRAWING

**PROPRIETARY AND CONFIDENTIAL**  
 THE INFORMATION CONTAINED IN THIS DRAWING IS THE SOLE PROPERTY OF Gopher Sign Company. ANY REPRODUCTION IN PART OR AS A WHOLE WITHOUT THE WRITTEN PERMISSION OF Gopher Sign Company IS PROHIBITED.

Job# TBD  
 FINISH:  
 Powdercoat

NAME	DATE
DRAWN Jonas R.	3/19/2019
COMMENTS:	

SIZE	DWG. NO.	REV
<b>A</b>	170420	

SCALE: 1:24 WEIGHT: SHEET 3 OF 3