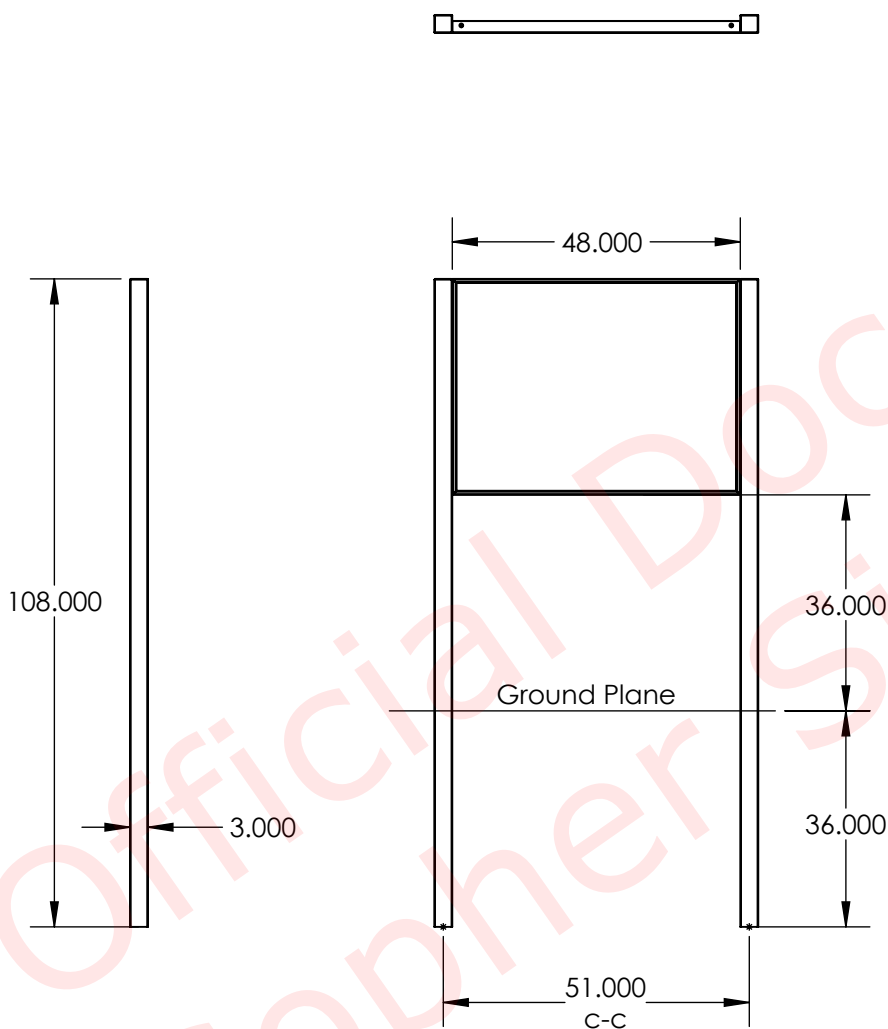


1

2

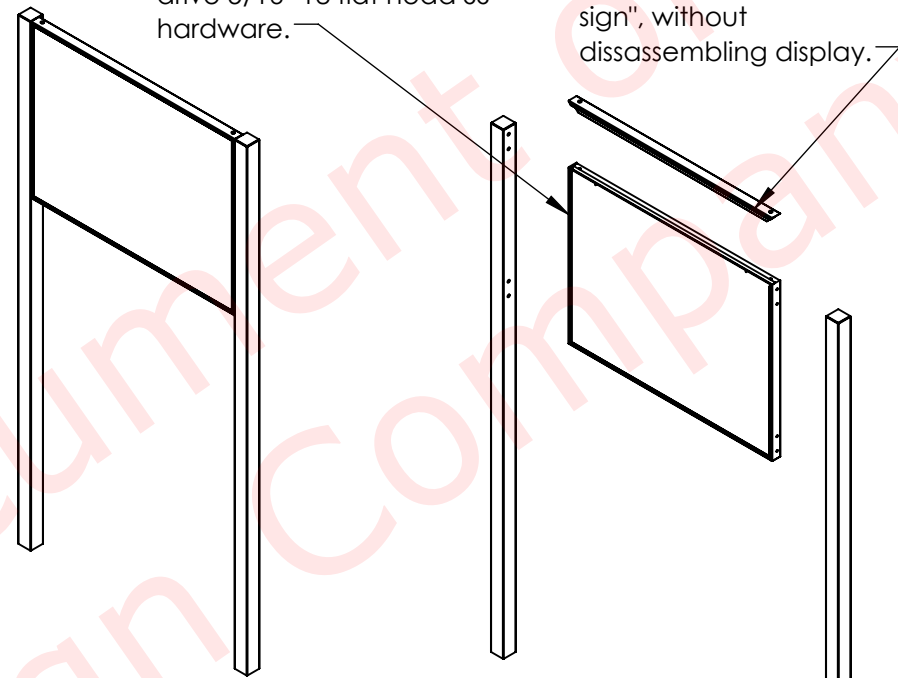
3

4



Sign frame with integral full back plate. Removable top member secured with hex drive 5/16"-18 flat head SS hardware.

Removable top member allows sign to be flipped to show rear "spare" sign", without disassembling display.



3x3x1/8" Aluminum Square tube posts with 5/16"-18 nut inserts factory installed to allow mounting of the sign frame.

Qty.TBD

Friday, August 12, 2022 10:48:35 AM

PROPRIETARY AND CONFIDENTIAL
 THE INFORMATION CONTAINED IN THIS DRAWING IS THE SOLE PROPERTY OF Gopher Sign Company. ANY REPRODUCTION IN PART OR AS A WHOLE WITHOUT THE WRITTEN PERMISSION OF Gopher Sign Company IS PROHIBITED.

DO NOT SCALE DRAWING
 Job# TBD
 FINISH: Powdercoat

UNLESS OTHERWISE SPECIFIED:
 DIMENSIONS ARE IN INCHES
 TOLERANCES:
 FRACTIONAL: ± 1/16"
 ANGULAR: BEND ± 1°
 TWO PLACE DECIMAL: ± 0.06"
 THREE PLACE DECIMAL: ± 0.030"

NAME	DATE
DRAWN Jonas R.	3/19/2019

COMMENTS:

-Gopher Sign Company- 103 Highway 22 E - Clear Lake, SD 57226		
TITLE: Standard Low Profile Cantilever Display		
SIZE	DWG. NO.	REV
A	170430	
SCALE: 1:24	WEIGHT:	SHEET 2 OF 3

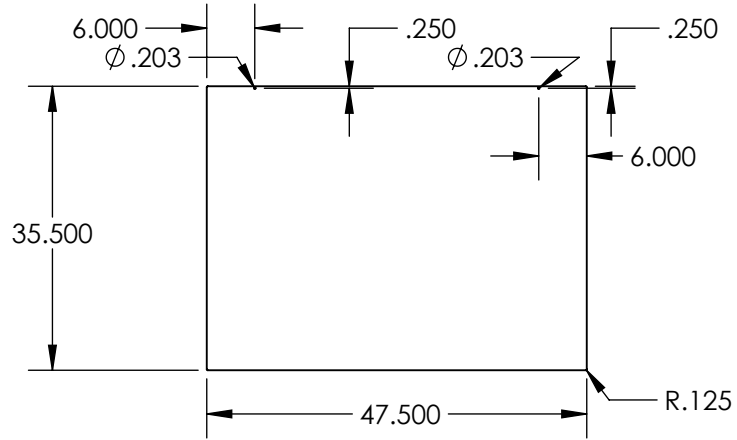
1

2

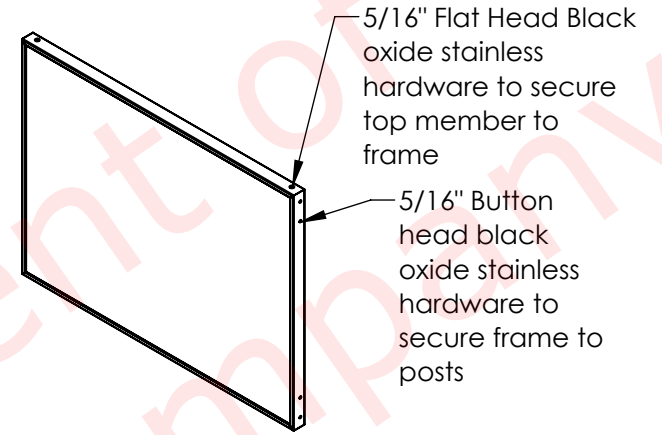
3

4

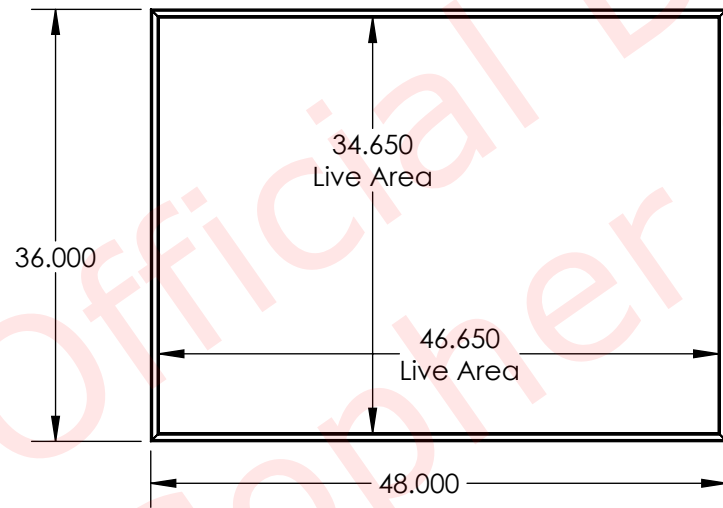
0.125" ImageLOC Panel



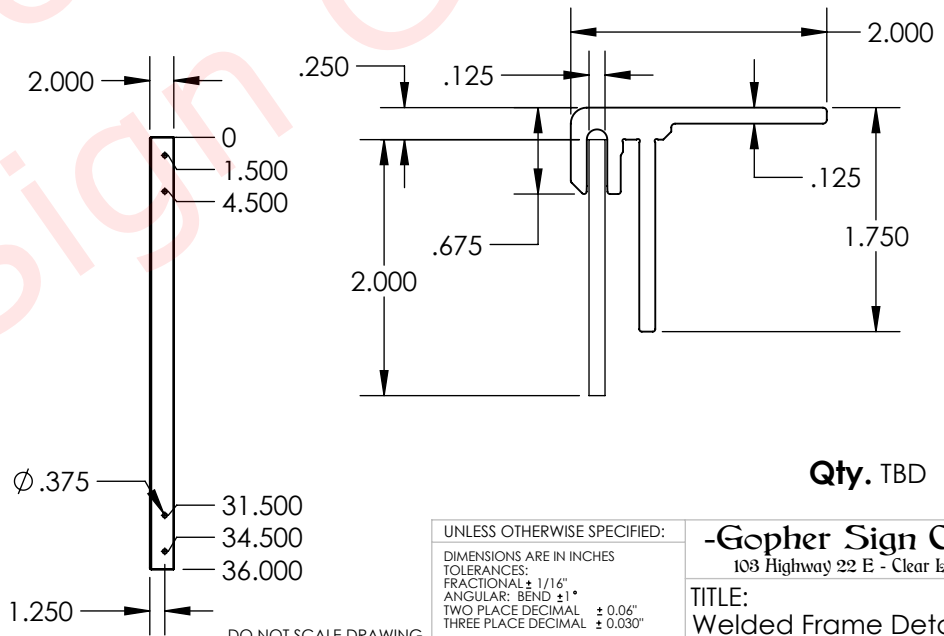
Welded Sign Frame Isometric View



Welded Sign Frame



Welded Frame Extrusion Profile



Qty. TBD

UNLESS OTHERWISE SPECIFIED:
 DIMENSIONS ARE IN INCHES
 TOLERANCES:
 FRACTIONAL \pm 1/16"
 ANGULAR: BEND \pm 1°
 TWO PLACE DECIMAL \pm 0.06"
 THREE PLACE DECIMAL \pm 0.030"

-Gopher Sign Company-
 103 Highway 22 E - Clear Lake, SD 57226

TITLE:
 Welded Frame Detail

SIZE DWG. NO. REV
A 170430

SCALE: 1:24 WEIGHT: SHEET 3 OF 3

PROPRIETARY AND CONFIDENTIAL
 THE INFORMATION CONTAINED IN THIS DRAWING IS THE SOLE PROPERTY OF Gopher Sign Company. ANY REPRODUCTION IN PART OR AS A WHOLE WITHOUT THE WRITTEN PERMISSION OF Gopher Sign Company IS PROHIBITED.

Job# TBD
 FINISH: Powdercoat

NAME DATE
 DRAWN Jonas R. 3/19/2019
 COMMENTS:

DO NOT SCALE DRAWING