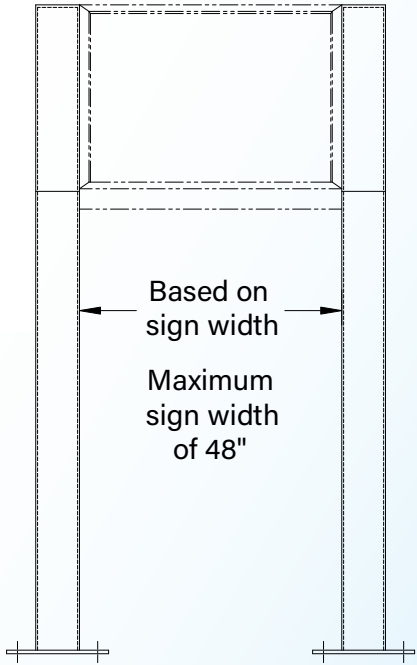


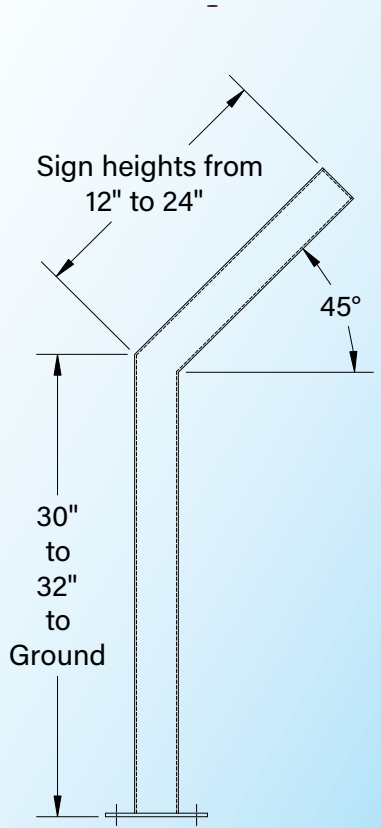
Base Pad Mount

Embedded Mount



Based on
sign width
Maximum
sign width
of 48"

Front View

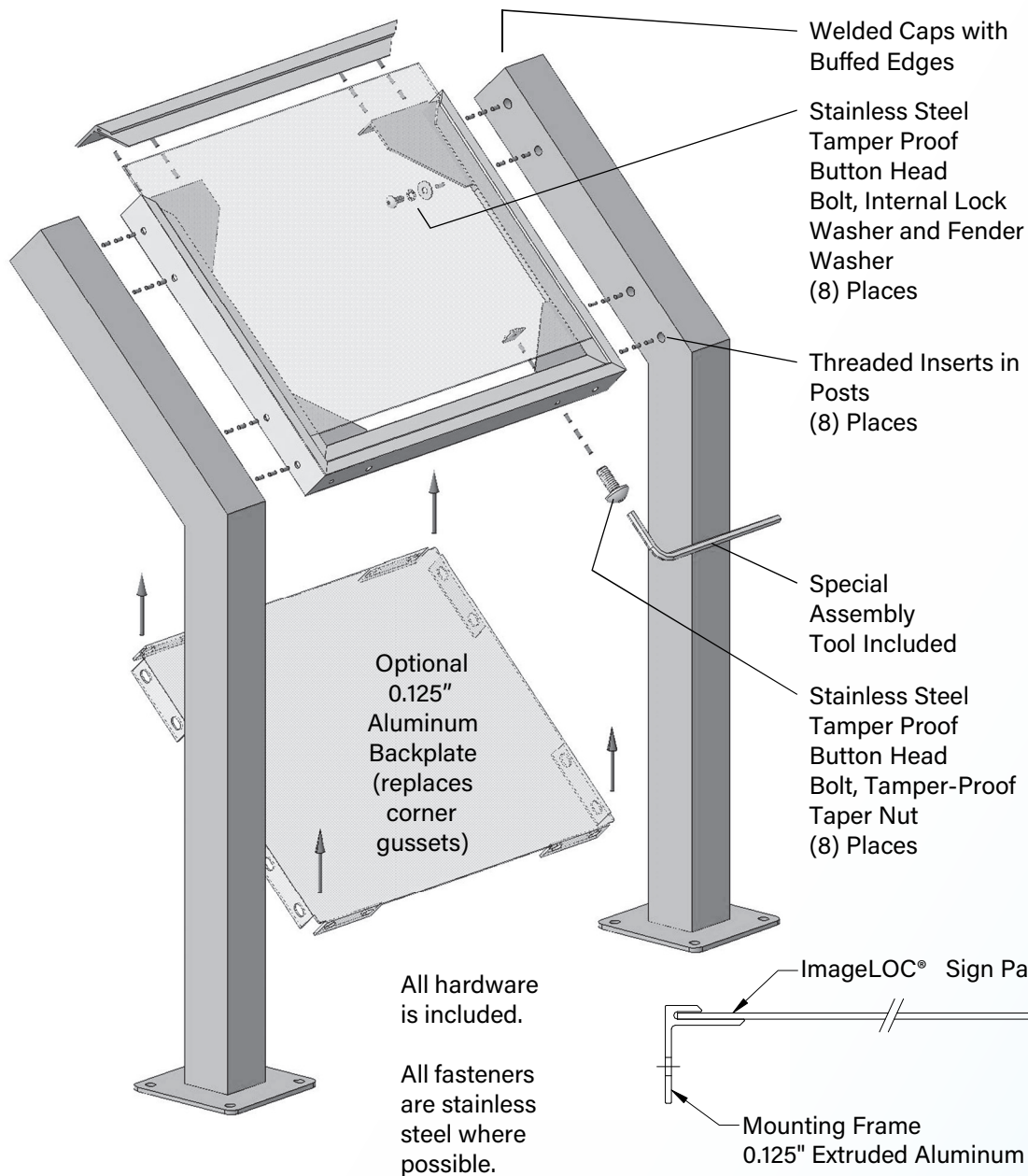


Sign heights from
12" to 24"
45°
30"
to
32"
to
Ground

Side View

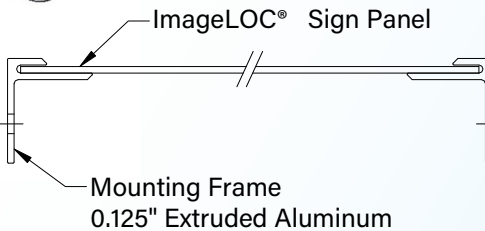
Cantilever Exhibit Bases



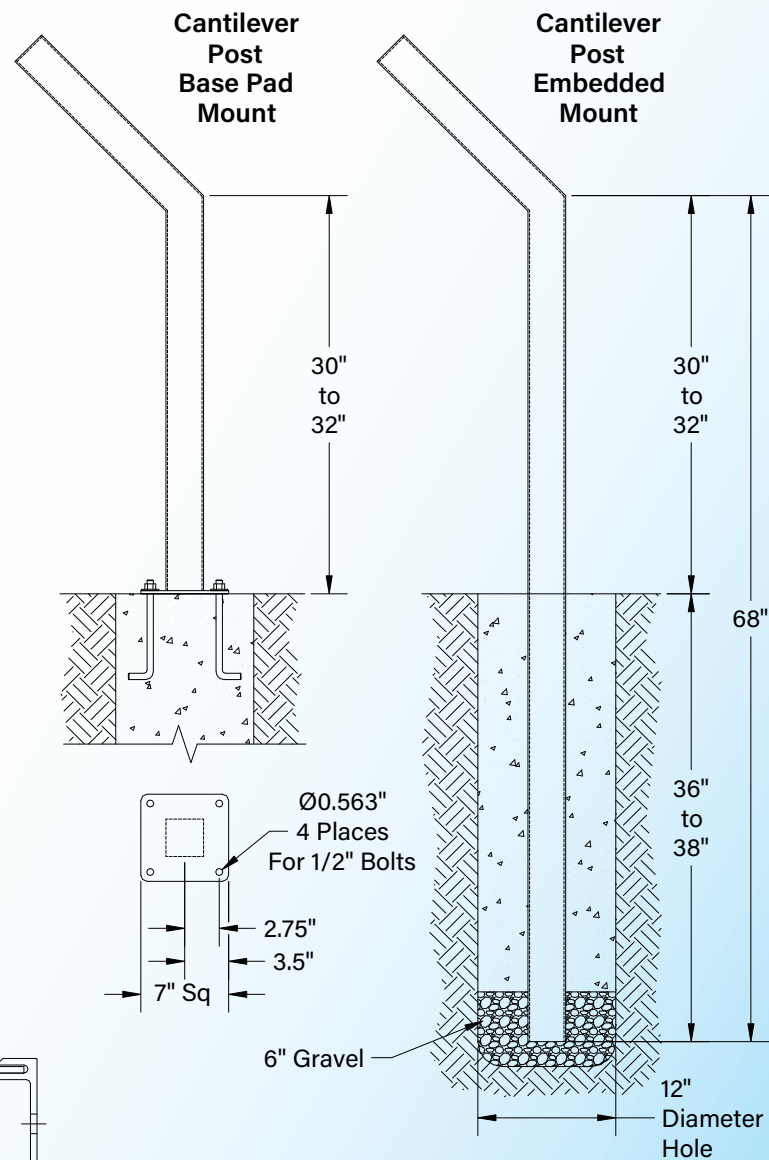


All hardware is included.

All fasteners are stainless steel where possible.



Sign Mounting Cross-Section View



Cantilever Exhibit Base Installation Detail