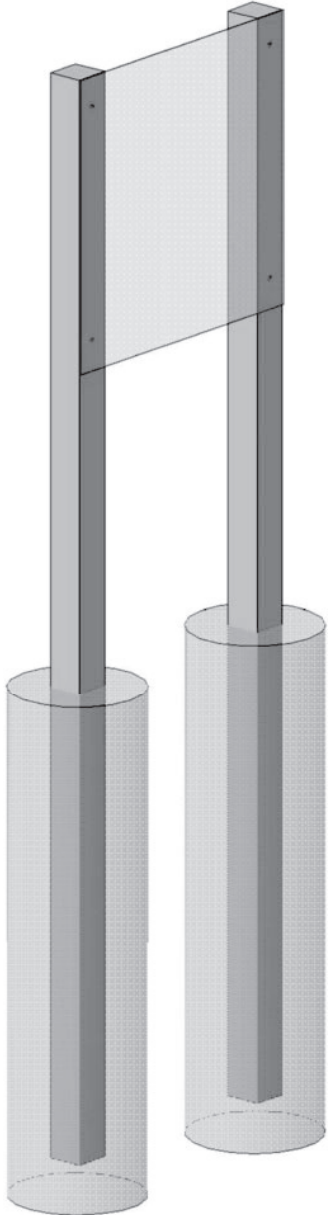
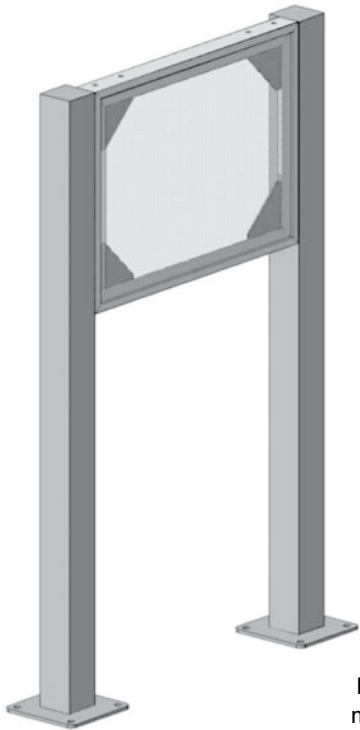


**UP1E-UTB**  
**Upright Single Post Embedded Mount**  
 Unframed sign / Thru-bolt mounting  
 Sign sizes up to 12" W x 24" H



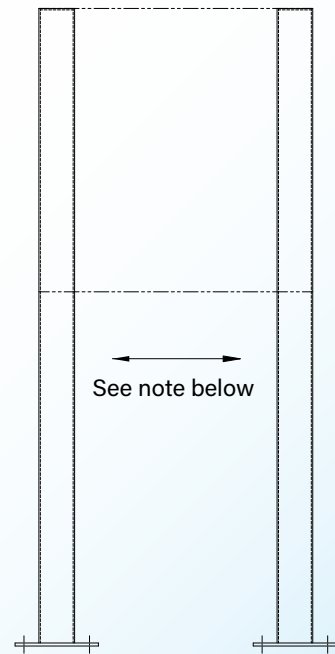
**UP2E-UHB**  
**Upright Double Post Embedded Mount**  
 Unframed sign / Hidden bolt mounting  
 Sign sizes from 18" to 48" WIDE,  
 12" to 48" HIGH



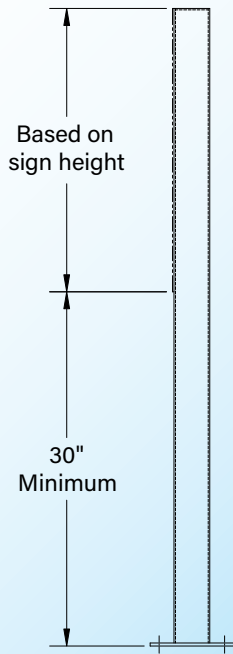
**UP2B-F**  
**Upright Double Post Base Pad Mount**  
 Framed sign - Extruded aluminum frame  
 Sign sizes from 18" to 60" WIDE,  
 12" to 48" HIGH

Framed signs have a maximum width of 60"  
 (Sign mounted between posts)

Unframed signs have a maximum width of 48"  
 (Sign mounted on face of posts)



Front View



Side View

**NOTE:**

- Upright In-Line Exhibit Stands can have any number of posts.
- Each Upright Exhibit Stand configuration is available with Embedded or Base Pad Mounting.

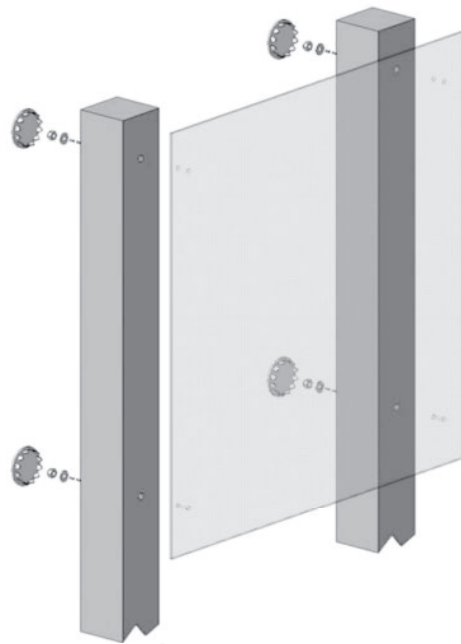
# Upright Exhibit Stands





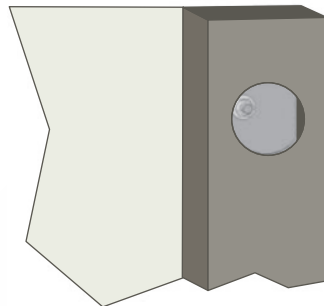
**Unframed Sign Thru-Bolt Mounting**

Hex bolt with flat washer through sign and post, secured with fender washer and tamper proof nut.

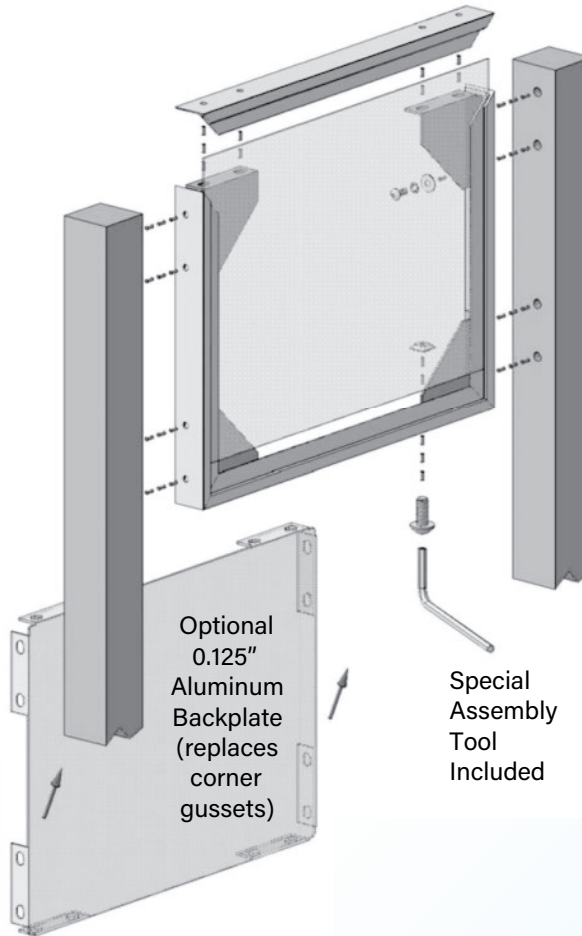


**Unframed Sign Hidden Bolt Mounting**

Sign stud through post wall, secured with flat washer and nylon lock nut, hidden in post with round hole plug. See back view below:

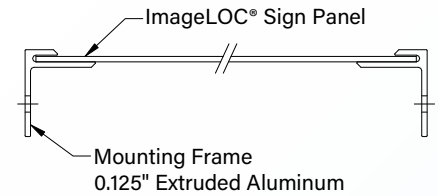


All hardware is included. All fasteners are stainless steel where possible.

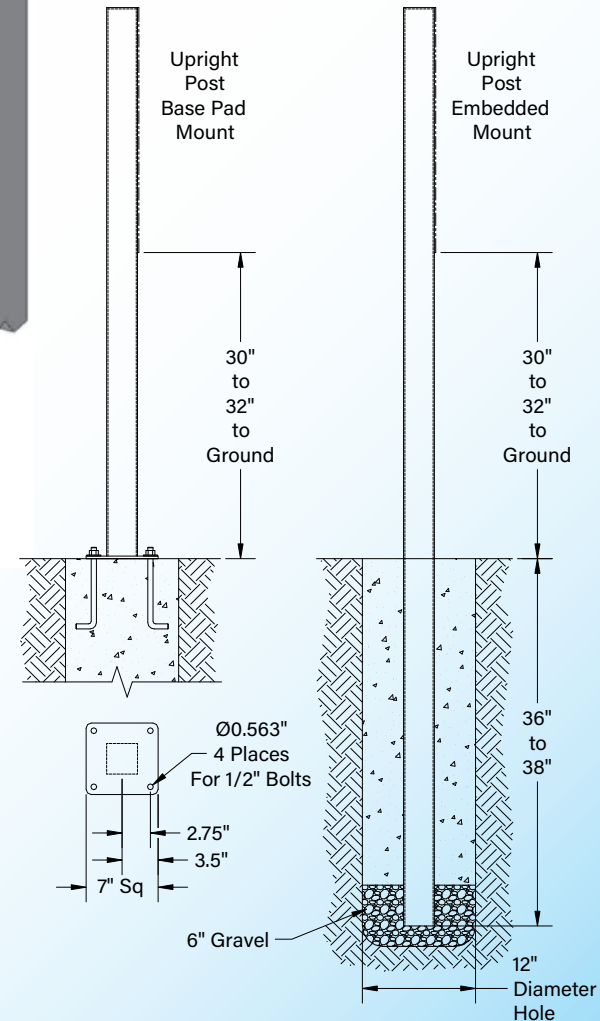


**Framed Sign**

Tamper proof button head bolts:  
 - through sign frame and corner gusset, secured with tamper proof nut.  
 - with internal lock washer and fender washer through corner gusset and sign frame, secured to threaded insert in post.



**Sign Mounting Cross-Section View**



# Upright Exhibit Installation Detail